

**Longlife digital thermometer
Model TF-LCD**

EN

**Longlife-Digital-Thermometer
Typ TF-LCD**

DE

**Thermomètre digital à longue durée de vie
Type TF-LCD**

FR

**Longlife termómetro digital
Modelo TF-LCD**

ES



Longlife digital thermometer, model TF-LCD

EN	Operating instructions model TF-LCD	Page	3 - 18
DE	Betriebsanleitung Typ TF-LCD	Seite	19 - 34
FR	Mode d'emploi type TF-LCD	Page	35 - 50
ES	Manual de instrucciones modelo TF-LCD	Página	51 - 65

© 12/2021 WIKA Alexander Wiegand SE & Co. KG
All rights reserved. / Alle Rechte vorbehalten.
WIKA® is a registered trademark in various countries.
WIKA® ist eine geschützte Marke in verschiedenen Ländern.

Prior to starting any work, read the operating instructions!
Keep for later use!

Vor Beginn aller Arbeiten Betriebsanleitung lesen!
Zum späteren Gebrauch aufbewahren!

Lire le mode d'emploi avant de commencer toute opération !
A conserver pour une utilisation ultérieure !

¡Leer el manual de instrucciones antes de comenzar cualquier trabajo!
¡Guardar el manual para una eventual consulta!

Contents

1. General information	4
2. Design and function	5
3. Safety	7
4. Transport, packaging and storage	10
5. Commissioning, operation	11
6. Faults	12
7. Maintenance and cleaning	13
8. Dismounting, return and disposal	14
9. Specifications	16

1. General information

EN

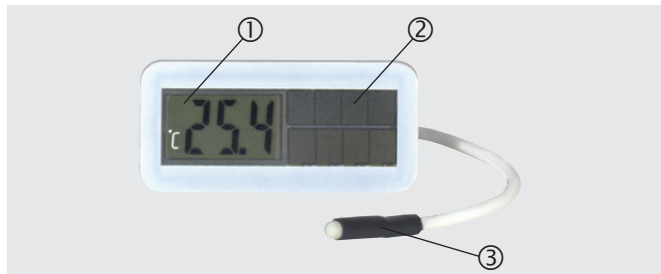
- The longlife digital thermometer described in the operating instructions has been manufactured using state-of-the-art technology. All components are subject to stringent quality and environmental criteria during production. Our management systems are certified to ISO 9001 and ISO 14001.
- These operating instructions contain important information on handling the instrument. Working safely requires that all safety instructions and work instructions are observed.
- Observe the relevant local accident prevention regulations and general safety regulations for the instrument's range of use.
- The operating instructions are part of the product and must be kept in the immediate vicinity of the instrument and readily accessible to skilled personnel at any time. Pass the operating instructions on to the next operator or owner of the instrument.
- Skilled personnel must have carefully read and understood the operating instructions prior to beginning any work.
- The general terms and conditions contained in the sales documentation shall apply.
- Subject to technical modifications.
- Further information:
 - Internet address: www.wika.de / www.wika.com
 - Relevant data sheet: TE 85.01
 - Application consultant: Tel.: +49 9372 132-0
info@wika.de

2. Design and function

EN

2. Design and function

2.1 Overview



- ① LC display
- ② Solar panel
- ③ Insertion thermometer

2.2 Description

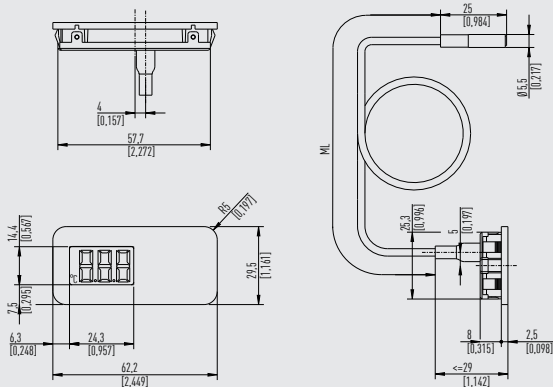
The model TF-LCD longlife digital thermometer consists of a insertion thermometer with up to 3 metres of measuring line and a permanently connected digital LC display.

The LC display is powered by a built-in (not exchangeable) battery or a built-in solar panel and does not require any separate supply voltage. All electrical components are protected against dust.

2. Design and function

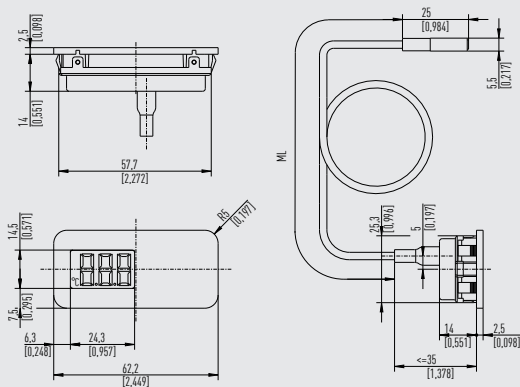
2.3 Dimensions in mm [in]

Solar



14204741.02

Battery



14204741.02

2.4 Scope of delivery

Cross-check scope of delivery with delivery note.

3. Safety

3.1 Explanation of symbols

**WARNING!**

... indicates a potentially dangerous situation that can result in serious injury or death, if not avoided.

**CAUTION!**

... indicates a potentially dangerous situation that can result in light injuries or damage to property or the environment, if not avoided.

**Information**

... points out useful tips, recommendations and information for efficient and trouble-free operation.

3.2 Intended use

The model TF-LCD longlife digital thermometer is used for temperature measurement in the widest variety of industrial applications in cooling and refrigeration technology as well as in heating, air-conditioning and ventilation technology. It is designed for installation in a case, control panel, console or similar. This instrument is not approved for use in hazardous areas!

The instrument has been designed and built solely for the intended use described here, and may only be used accordingly.

The technical specifications contained in these operating instructions must be observed. Improper handling or operation of the instrument outside of its technical specifications requires the instrument to be taken out of service immediately and inspected by an authorised WIKA service engineer.

The manufacturer shall not be liable for claims of any type based on operation contrary to the intended use.

3.3 Improper use

EN



WARNING!

Injuries through improper use

Improper use of the instrument can lead to hazardous situations and injuries.

- ▶ Refrain from unauthorised modifications to the instrument.
- ▶ Do not use the instrument within hazardous areas.
- ▶ Do not use the instrument with abrasive or viscous media.

Any use beyond or different to the intended use is considered as improper use.

3.4 Responsibility of the operator

The instrument is used in the industrial sector. The operator is therefore responsible for legal obligations regarding safety at work.

The safety instructions within these operating instructions, as well as the safety, accident prevention and environmental protection regulations for the application area of the instrument must be maintained.

Observe the information on the product label.

To ensure safe working on the instrument, the operating company must ensure

- that the operating personnel are regularly instructed in all topics regarding work safety, first aid and environmental protection and know the operating instructions and, in particular, the safety instructions contained therein.
- that the instrument is suitable for the particular application in accordance with its intended use.
- that personal protective equipment is available.

3. Safety

3.5 Personnel qualification



WARNING!

Risk of injury should qualification be insufficient

Improper handling can result in considerable injury and damage to property.

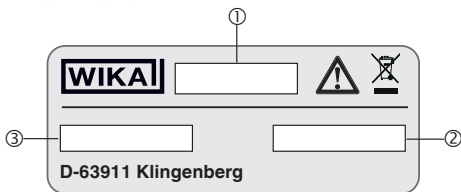
- ▶ The activities described in these operating instructions may only be carried out by skilled personnel who have the qualifications described below.

Skilled personnel

Skilled personnel, authorised by the operator, are understood to be personnel who, based on their technical training, knowledge of measurement and control technology and on their experience and knowledge of country-specific regulations, current standards and directives, are capable of carrying out the work described and independently recognising potential hazards.

3.6 Labelling, safety marks

Product label (example)



- ① Model
- ② Production order number
- ③ Scale range



Before mounting and commissioning the instrument, ensure you read the operating instructions!



Do not dispose of with household waste. Ensure a proper disposal in accordance with national regulations.

4. Transport, packaging and storage

4. Transport, packaging and storage

EN

4.1 Transport

Check the instrument for any damage that may have been caused by transport. Obvious damage must be reported immediately.



CAUTION!

Damage through improper transport

With improper transport, a high level of damage to property can occur.

- ▶ When unloading packed goods upon delivery as well as during internal transport, proceed carefully and observe the symbols on the packaging.
- ▶ With internal transport, observe the instructions in chapter 4.2 "Packaging and storage".

If the instrument is transported from a cold into a warm environment, the formation of condensation may result in instrument malfunction. Before putting it back into operation, wait for the instrument temperature and the room temperature to equalise.

4.2 Packaging and storage

Do not remove packaging until just before mounting.

Keep the packaging as it will provide optimum protection during transport (e.g. change in installation site, sending for repair).

Permissible conditions at the place of storage:

- Storage temperature: -20 ... +50 °C [-4 ... +122 °F]
- Humidity: 35 ... 85 % relative humidity (no condensation)

Avoid exposure to the following factors:

- Direct sunlight or proximity to hot objects
- Mechanical vibration, mechanical shock (putting it down hard)
- Soot, vapour, dust and corrosive gases
- Hazardous environments, flammable atmospheres

Store the instrument in its original packaging in a location that fulfils the conditions listed above.

5. Commissioning, operation



WARNING!

Physical injuries and damage to property and the environment caused by hazardous media

Upon contact with hazardous media (e.g. oxygen, acetylene, flammable or toxic substances), harmful media (e.g. corrosive, toxic, carcinogenic, radioactive), and also with refrigeration plants and compressors, there is a danger of physical injuries and damage to property and the environment.

Should a failure occur, aggressive media with extremely high temperature and under high pressure or vacuum may be present at the instrument.

- ▶ For these media, in addition to all standard regulations, the appropriate existing codes or regulations must also be followed.

To determine the positioning of the module in the desired object, use the back of the thermometer - not the side with the LC display - as a template.

The recommended size of the recess is 59.5 x 25.5 mm.

For correct horizontal positioning, we recommend using a spirit level.

1. Create a recess (as described above) in the desired object.
2. Guide the cable and the sensor through the hole.
3. Place the module on the hole and then press lightly on the front (not on the display!) until the thermometer snaps into place.
4. Now feed the cable and sensor out to a suitable location and fix them.

The thermometer is ready for operation in its as-delivered condition. The measured temperature is shown on the LC display.

Immunity against radiated fields (DIN EN 61000-4-3)

Under certain conditions, increased indication errors of a maximum of 5 % may occur in the presence of strong electromagnetic fields with a frequency range of between 80 and 90 MHz. These errors are reversible and disappear as soon as the source of interference is removed. Do not install the instrument near sources of strong electromagnetic fields, e.g. radio transmitters.

EN

6. Faults



WARNING!

Physical injuries and damage to property and the environment caused by hazardous media

Upon contact with hazardous media (e.g. oxygen, acetylene, flammable or toxic substances), harmful media (e.g. corrosive, toxic, carcinogenic, radioactive), and also with refrigeration plants and compressors, there is a danger of physical injuries and damage to property and the environment.

Should a failure occur, aggressive media with extremely high temperature and under high pressure or vacuum may be present at the instrument.

- ▶ For these media, in addition to all standard regulations, the appropriate existing codes or regulations must also be followed.



CAUTION!

Physical injuries and damage to property and the environment

If faults cannot be eliminated by means of the listed measures, the instrument must be taken out of operation immediately.

- ▶ Contact the manufacturer.
- ▶ If a return is needed, please follow the instructions given in chapter 8.2 "Return".



For contact details, see chapter 1 "General information" or the back page of the operating instructions.

6. Faults / 7. Maintenance and cleaning

Faults	Possible reasons	Measures
Display flashes	Is under or exceeds the scale range	Return the medium to the scale range by cooling or heating it
No display	Discharge the battery	Replace instrument
	Brightness not sufficient for solar panel	If possible, move the display to a brighter location

EN

7. Maintenance and cleaning



For contact details, see chapter 1 “General information” or the back page of the operating instructions.

7.1 Maintenance

This instrument is maintenance-free.

Repairs must only be carried out by the manufacturer.

7.2 Cleaning



CAUTION!

Physical injuries and damage to property and the environment

Improper cleaning may lead to physical injuries and damage to property and the environment. Residual media in the dismantled instrument can result in a risk to persons, the environment and equipment.

- ▶ Carry out the cleaning process as described below.



CAUTION!

Damage to the instrument

Improper cleaning may lead to damage to the instrument!

- ▶ Do not use any aggressive cleaning agents.
- ▶ Do not use any hard or pointed objects for cleaning.

Clean the instrument with a moist cloth. Use the requisite protective equipment.

Clean the dismantled instrument, in order to protect persons and the environment from exposure to residual media.

8. Dismounting, return and disposal



WARNING!

Physical injuries and damage to property and the environment through residual media

Residual media in the dismantled instrument can result in a risk to persons, the environment and equipment.

- ▶ Observe the information in the material safety data sheet for the corresponding medium.
- ▶ Wash or clean the dismantled instrument, in order to protect persons and the environment from exposure to residual media.

8.1 Dismounting



WARNING!

Physical injuries and damage to property and the environment through residual media

Upon contact with hazardous media (e.g. oxygen, acetylene, flammable or toxic substances), harmful media (e.g. corrosive, toxic, carcinogenic, radioactive), and also with refrigeration plants and compressors, there is a danger of physical injuries and damage to property and the environment.

- ▶ Before storage of the dismantled instrument (following use) clean it, in order to protect persons and the environment from exposure to residual media.
- ▶ Observe the information in the material safety data sheet for the corresponding medium.

8. Dismounting, return and disposal



WARNING!

Physical injury

When dismounting, there is a danger from aggressive media.

- ▶ Observe the information in the material safety data sheet for the corresponding medium.

EN

8.2 Return

Strictly observe the following when shipping the instrument:

All instruments delivered to WIKA must be free from any kind of hazardous substances (acids, bases, solutions, etc.) and must therefore be cleaned before being returned.



WARNING!

Physical injuries and damage to property and the environment through residual media

Residual media in the dismantled instrument can result in a risk to persons, the environment and equipment.

- ▶ With hazardous substances, include the material safety data sheet for the corresponding medium.
- ▶ Clean the instrument, see chapter 7.2 "Cleaning".

When returning the instrument, use the original packaging.

If possible, place a bag, containing a desiccant, inside the packaging.



Information on returns can be found under the heading "Service" on our local website.

8.3 Disposal

Incorrect disposal can put the environment at risk.

Dispose of instrument components and packaging materials in an environmentally compatible way and in accordance with the country-specific waste disposal regulations.



Do not dispose of with household waste. Ensure a proper disposal in accordance with national regulations.

9. Specifications

9. Specifications

Basic information

Case	Plastic
Mounting option	Panel mounting with spring clips up to 3 mm wall thickness
Measuring line	
Measuring line outlet	Back mount
Length	Max. 3 m [9.8 ft]
Material (wetted)	Plastic (PE)

Accuracy specifications

Indication accuracy	±1 K
----------------------------	------

Measuring range

Measuring range ¹⁾	-50 ... +120 °C [-58 ... +248 °F]
--------------------------------------	-----------------------------------

Digital display

Type of display	LC display	
Indication range ²⁾	<ul style="list-style-type: none">■ -39.9 ... +39.9 °C■ -39.9 ... +49.9 °C■ 0 ... 120 °C■ -39.9 ... +99.9 °F	
Display resolution	-39.9 ... +39.9 °C	0.1 °C
	-39.9 ... +49.9 °C	0.1 °C
	0 ... 120 °C	1 °C
	-39.9 ... +99.9 °F	0.1 °F
Minimum illuminance (solar panel)	Cold light	> 140 Lux
	Daylight	> 80 Lux
Character size	12 mm	
Supply voltage	Power supply via built-in battery or integrated solar cell	

- 1) Exceeding or falling below the measuring range is not permissible as it will lead to a defect of the instrument. Make sure that the temperature at the case does not exceed or fall below the permissible temperature.
- 2) When exceeding or falling below the scale range, the display starts flashing and no longer shows correct values. Once the medium temperature is within the scale range again, the display switches back to display mode.

9. Specifications

Operating conditions	
Ambient temperature range	-30 ... +60 °C [-22 ... +140 °F]
Storage temperature range	-20 ... +50 °C [-4 ... +122 °F]
Ingress protection of the complete instrument	IP68

EN

For further specifications, see WIKA data sheet TE 85.01 and the order documentation.

Inhalt

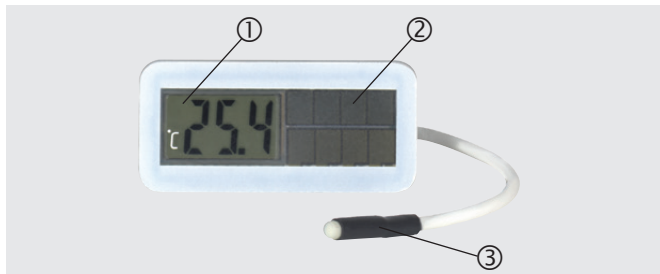
1. Allgemeines	20
2. Aufbau und Funktion	21
3. Sicherheit	23
4. Transport, Verpackung und Lagerung	26
5. Inbetriebnahme, Betrieb	27
6. Störungen	28
7. Wartung und Reinigung	29
8. Demontage, Rücksendung und Entsorgung	30
9. Technische Daten	32

1. Allgemeines

- Das in der Betriebsanleitung beschriebene Longlife-Digital-Thermometer wird nach dem aktuellen Stand der Technik gefertigt. Alle Komponenten unterliegen während der Fertigung strengen Qualitäts- und Umweltkriterien. Unsere Managementsysteme sind nach ISO 9001 und ISO 14001 zertifiziert.
- Diese Betriebsanleitung gibt wichtige Hinweise zum Umgang mit dem Gerät. Voraussetzung für sicheres Arbeiten ist die Einhaltung aller angegebenen Sicherheitshinweise und Handlungsanweisungen.
- Die für den Einsatzbereich des Gerätes geltenden örtlichen Unfallverhütungsvorschriften und allgemeinen Sicherheitsbestimmungen einhalten.
- Die Betriebsanleitung ist Produktbestandteil und muss in unmittelbarer Nähe des Gerätes für das Fachpersonal jederzeit zugänglich aufbewahrt werden. Betriebsanleitung an nachfolgende Benutzer oder Besitzer des Gerätes weitergeben.
- Das Fachpersonal muss die Betriebsanleitung vor Beginn aller Arbeiten sorgfältig durchgelesen und verstanden haben.
- Es gelten die allgemeinen Geschäftsbedingungen in den Verkaufsunterlagen.
- Technische Änderungen vorbehalten.
- Weitere Informationen:
 - Internet-Adresse: www.wika.de / www.wika.com
 - Zugehöriges Datenblatt: TE 85.01
 - Anwendungsberater: Tel.: +49 9372 132-0
info@wika.de

2. Aufbau und Funktion

2.1 Übersicht



- ① LC-Display
- ② Solarpanel
- ③ Einsteckthermometer

2.2 Beschreibung

Das Longlife-Digital-Thermometer Typ TF-LCD besteht aus einem Einsteckthermometer mit bis zu 3 Meter Messleitung und einem fest angeschlossenen digitalen LC-Display.

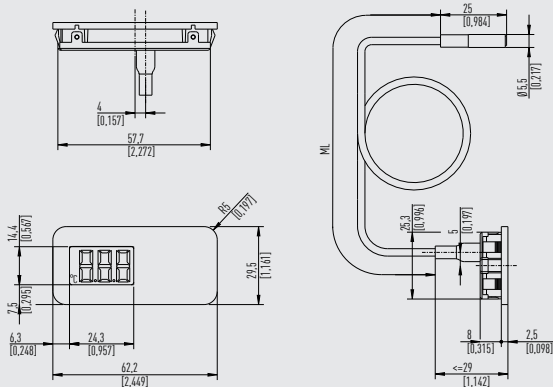
Das LC-Display wird über eine eingebaute (nicht austauschbare) Batterie oder ein eingebautes Solarpanel betrieben und benötigt keine separate Hilfsenergie.

Alle elektrischen Bauteile sind vor Staub geschützt.

2. Aufbau und Funktion

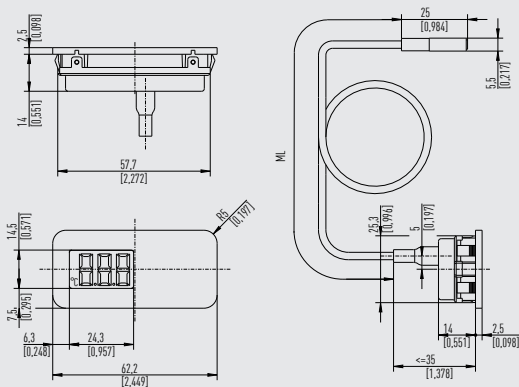
2.3 Abmessungen in mm [in]

Solar



14204741.02

Batterie



14204741.02

2.4 Lieferumfang

Lieferumfang mit dem Lieferschein abgleichen.

3. Sicherheit

3.1 Symbolerklärung

**WARNUNG!**

... weist auf eine möglicherweise gefährliche Situation hin, die zum Tod oder zu schweren Verletzungen führen kann, wenn sie nicht gemieden wird.

**VORSICHT!**

... weist auf eine möglicherweise gefährliche Situation hin, die zu geringfügigen oder leichten Verletzungen bzw. Sach- und Umweltschäden führen kann, wenn sie nicht gemieden wird.

**Information**

... hebt nützliche Tipps und Empfehlungen sowie Informationen für einen effizienten und störungsfreien Betrieb hervor.

3.2 Bestimmungsgemäße Verwendung

Das Longlife-Digital-Thermometer Typ TF-LCD dient zur Temperaturmessung in den verschiedensten industriellen Anwendungen der Kühl- und Kältetechnik sowie in der Heizungs-, Klima- und Lüftungstechnik. Es ist zum Einbau in ein Gehäuse, ein Bedienfeld, eine Konsole oder ähnliches konzipiert. Dieses Gerät ist nicht für den Einsatz in explosionsgefährdeten Bereichen zugelassen!

Das Gerät ist ausschließlich für den hier beschriebenen bestimmungsgemäßen Verwendungszweck konzipiert und konstruiert und darf nur dementsprechend verwendet werden.

Die technischen Spezifikationen in dieser Betriebsanleitung sind einzuhalten. Eine unsachgemäße Handhabung oder ein Betreiben des Gerätes außerhalb der technischen Spezifikationen macht die sofortige Stilllegung und Überprüfung durch einen autorisierten WIKA-Service Mitarbeiter erforderlich.

Ansprüche jeglicher Art aufgrund von nicht bestimmungsgemäßer Verwendung sind ausgeschlossen.

3.3 Fehlgebrauch



WARNUNG!

Verletzungen durch Fehlgebrauch

Fehlgebrauch des Gerätes kann zu gefährlichen Situationen und Verletzungen führen.

- ▶ Eigenmächtige Umbauten am Gerät unterlassen.
- ▶ Gerät nicht in explosionsgefährdeten Bereichen einsetzen.
- ▶ Gerät nicht für abrasive und viskose Messstoffe verwenden.

Jede über die bestimmungsgemäße Verwendung hinausgehende oder andersartige Benutzung gilt als Fehlgebrauch.

3.4 Verantwortung des Betreibers

Das Gerät wird im gewerblichen Bereich eingesetzt. Der Betreiber unterliegt daher den gesetzlichen Pflichten zur Arbeitssicherheit.

Die Sicherheitshinweise dieser Betriebsanleitung, sowie die für den Einsatzbereich des Gerätes gültigen Sicherheits-, Unfallverhütungs- und Umweltschutzvorschriften einhalten.

Angaben auf dem Typenschild beachten.

Für ein sicheres Arbeiten am Gerät muss der Betreiber sicherstellen,

- dass das Bedienpersonal regelmäßig in allen zutreffenden Fragen von Arbeitssicherheit, Erste Hilfe und Umweltschutz unterwiesen wird, sowie die Betriebsanleitung und insbesondere die darin enthaltenen Sicherheitshinweise kennt.
- dass das Gerät gemäß der bestimmungsgemäßen Verwendung für den Anwendungsfall geeignet ist.
- dass die persönliche Schutzausrüstung verfügbar ist.

3.5 Personalqualifikation



WARNUNG!

Verletzungsgefahr bei unzureichender Qualifikation

Unsachgemäßer Umgang kann zu erheblichen Personen- und Sachschäden führen.

- ▶ Die in dieser Betriebsanleitung beschriebenen Tätigkeiten nur durch Fachpersonal nachfolgend beschriebener Qualifikation durchführen lassen.

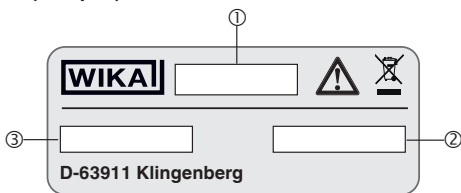
DE

Fachpersonal

Das vom Betreiber autorisierte Fachpersonal ist aufgrund seiner fachlichen Ausbildung, seiner Kenntnisse der Mess- und Regelungstechnik und seiner Erfahrungen sowie Kenntnis der landesspezifischen Vorschriften, geltenden Normen und Richtlinien in der Lage, die beschriebenen Arbeiten auszuführen und mögliche Gefahren selbstständig zu erkennen.

3.6 Beschilderung, Sicherheitskennzeichnungen

Typenschild (Beispiel)



- ① Typ
- ② Produktionsauftragsnummer
- ③ Anzeigebereich



Vor Montage und Inbetriebnahme des Gerätes unbedingt die Betriebsanleitung lesen!



Nicht mit dem Hausmüll entsorgen. Für eine geordnete Entsorgung gemäß nationaler Vorgaben sorgen.

4. Transport, Verpackung und Lagerung

4.1 Transport

Gerät auf eventuell vorhandene Transportschäden untersuchen.
Offensichtliche Schäden unverzüglich mitteilen.

DE



VORSICHT!

Beschädigungen durch unsachgemäßen Transport

Bei unsachgemäßem Transport können Sachschäden in erheblicher Höhe entstehen.

- ▶ Beim Abladen der Packstücke bei Anlieferung sowie innerbetrieblichem Transport vorsichtig vorgehen und die Symbole auf der Verpackung beachten.
- ▶ Bei innerbetrieblichem Transport die Hinweise unter Kapitel 4.2 „Verpackung und Lagerung“ beachten.

Wird das Gerät von einer kalten in eine warme Umgebung transportiert, so kann durch Kondensatbildung eine Störung der Gerätefunktion eintreten. Vor einer erneuten Inbetriebnahme die Angleichung der Gerätetemperatur an die Raumtemperatur abwarten.

4.2 Verpackung und Lagerung

Verpackung erst unmittelbar vor der Montage entfernen.

Die Verpackung aufbewahren, denn diese bietet bei einem Transport einen optimalen Schutz (z. B. wechselnder Einbauort, Reparatursendung).

Zulässige Bedingungen am Lagerort:

- Lagertemperatur: -20 ... +50 °C [-4 ... +122 °F]
- Feuchtigkeit: 35 ... 85 % relative Feuchte (keine Betauung)

Folgende Einflüsse vermeiden:

- Direktes Sonnenlicht oder Nähe zu heißen Gegenständen
- Mechanische Vibration, mechanischer Schock (hartes Aufstellen)
- Ruß, Dampf, Staub und korrosive Gase
- Explosionsgefährdete Umgebung, entzündliche Atmosphären

Das Gerät in der Originalverpackung an einem Ort lagern, der die oben gelisteten Bedingungen erfüllt.

5. Inbetriebnahme, Betrieb



WARNUNG!

Körperverletzungen, Sach- und Umweltschäden durch gefährliche Messstoffe

Bei Kontakt mit gefährlichen Messstoffen (z. B. Sauerstoff, Acetylen, brennbaren oder giftigen Stoffen), gesundheitsgefährdenden Messstoffen (z. B. ätzend, giftig, krebserregend, radioaktiv) sowie bei Kälteanlagen, Kompressoren besteht die Gefahr von Körperverletzungen, Sach- und Umweltschäden. Am Gerät können im Fehlerfall aggressive Messstoffe mit extremer Temperatur und unter hohem Druck oder Vakuum anliegen.

- ▶ Bei diesen Messstoffen müssen über die gesamten allgemeinen Regeln hinaus die einschlägigen Vorschriften beachtet werden.

Zur Bestimmung der Position des Moduls in dem gewünschten Objekt die Rückseite des Thermometers - nicht die Seite des LC-Displays - als Vorlage verwenden.

Die empfohlene Größe der Aussparung beträgt 59,5 x 25,5 mm. Für die korrekte horizontale Positionierung empfehlen wir die Verwendung einer Wasserwaage.

1. Aussparung (wie oben beschrieben) im gewünschten Objekt erstellen.
2. Das Kabel und den Sensor durch das Loch führen.
3. Modul auf das Loch setzen und dann leicht auf die Frontseite drücken (nicht auf das Display!) bis das Thermometer an der richtigen Stelle einrastet.
4. Kabel und Sensor nun nach außen zu einer passenden Stelle führen und befestigen.

Das Thermometer ist im Auslieferungszustand betriebsbereit. Die gemessene Temperatur wird auf dem LC-Display angezeigt.

Störfestigkeit gegen gestrahlte Felder (DIN EN 61000-4-3)

Unter bestimmten Bedingungen können bei starken elektromagnetischen Feldern in einem Frequenzbereich zwischen 80 und 90 MHz erhöhte Anzeigefehler von maximal 5 % auftreten. Diese Fehler sind reversibel und verschwinden, sobald die Störquelle entfernt wird. Gerät nicht in der Nähe von Quellen starker elektromagnetischer Felder, z. B. Funksender, installieren.

DE

6. Störungen



WARNUNG!

Körperverletzungen, Sach- und Umweltschäden durch gefährliche Messstoffe

Bei Kontakt mit gefährlichen Messstoffen (z. B. Sauerstoff, Acetylen, brennbaren oder giftigen Stoffen), gesundheitsgefährdenden Messstoffen (z. B. ätzend, giftig, krebserregend, radioaktiv) sowie bei Kälteanlagen, Kompressoren besteht die Gefahr von Körperverletzungen, Sach- und Umweltschäden. Am Gerät können im Fehlerfall aggressive Messstoffe mit extremer Temperatur und unter hohem Druck oder Vakuum anliegen.

- ▶ Bei diesen Messstoffen müssen über die gesamten allgemeinen Regeln hinaus die einschlägigen Vorschriften beachtet werden.



VORSICHT!

Körperverletzungen, Sach- und Umweltschäden

Können Störungen mit Hilfe der aufgeführten Maßnahmen nicht beseitigt werden, Gerät unverzüglich außer Betrieb setzen.

- ▶ Kontakt mit dem Hersteller aufnehmen.
- ▶ Bei notwendiger Rücksendung die Hinweise unter Kapitel 8.2 „Rücksendung“ beachten.



Kontaktdaten siehe Kapitel 1 „Allgemeines“ oder Rückseite der Betriebsanleitung.

6. Störungen / 7. Wartung und Reinigung

Störungen	Mögliche Ursachen	Maßnahmen
Anzeige blinkt	Anzeigebereich über- oder unterschritten	Messstoff durch Kühlen oder Heizen in den Anzeigebereich zurückführen
Keine Anzeige	Batterie entladen	Gerät austauschen
	Helligkeit für Solarpanel nicht ausreichend	Eventuell Anzeige an helleren Ort verlegen

DE

7. Wartung und Reinigung



Kontakt Daten siehe Kapitel 1 „Allgemeines“ oder Rückseite der Betriebsanleitung.

7.1 Wartung

Dieses Gerät ist wartungsfrei.

Reparaturen sind ausschließlich vom Hersteller durchzuführen.

7.2 Reinigung



VORSICHT!

Körperverletzungen, Sach- und Umweltschäden

Eine unsachgemäße Reinigung führt zu Körperverletzungen, Sach- und Umweltschäden. Messstoffreste im ausgebauten Gerät können zur Gefährdung von Personen, Umwelt und Einrichtung führen.

- ▶ Reinigungsvorgang wie folgt beschrieben durchführen.



VORSICHT!

Beschädigung des Gerätes

Eine unsachgemäße Reinigung führt zur Beschädigung des Gerätes!

- ▶ Keine aggressiven Reinigungsmittel verwenden.
- ▶ Keine harten und spitzen Gegenstände zur Reinigung verwenden.

Das Gerät mit einem feuchten Tuch reinigen. Notwendige Schutzausrüstung verwenden.

Ausgebautes Gerät säubern, um Personen und Umwelt vor Gefährdung durch anhaftende Messstoffreste zu schützen.

8. Demontage, Rücksendung und Entsorgung



WARNUNG!

Körperverletzungen, Sach- und Umweltschäden durch Messstoffreste

Messstoffreste im ausgebauten Gerät können zur Gefährdung von Personen, Umwelt und Einrichtung führen.

- ▶ Angaben im Sicherheitsdatenblatt für den entsprechenden Messstoff beachten.
- ▶ Ausgebautes Gerät spülen bzw. säubern, um Personen und Umwelt vor Gefährdung durch anhaftende Messstoffreste zu schützen.

8.1 Demontage



WARNUNG!

Körperverletzungen, Sach- und Umweltschäden durch Messstoffreste

Bei Kontakt mit gefährlichen Messstoffen (z. B. Sauerstoff, Acetylen, brennbaren oder giftigen Stoffen), gesundheitsgefährdenden Messstoffen (z. B. ätzend, giftig, krebserregend, radioaktiv) sowie bei Kälteanlagen, Kompressoren besteht die Gefahr von Körperverletzungen, Sach- und Umweltschäden.

- ▶ Vor der Einlagerung das ausgebaute Gerät (nach Betrieb) säubern, um Personen und Umwelt vor Gefährdung durch anhaftende Messstoffreste zu schützen.
- ▶ Angaben im Sicherheitsdatenblatt für den entsprechenden Messstoff beachten.

8. Demontage, Rücksendung und Entsorgung



WARNUNG!

Körperverletzung

Bei der Demontage besteht Gefahr durch aggressive Messstoffe.

- ▶ Angaben im Sicherheitsdatenblatt für den entsprechenden Messstoff beachten.

8.2 Rücksendung

Beim Versand des Gerätes unbedingt beachten:

Alle an WIKA gelieferten Geräte müssen frei von Gefahrstoffen (Säuren, Laugen, Lösungen, etc.) sein und sind daher vor der Rücksendung zu reinigen.



WARNUNG!

Körperverletzungen, Sach- und Umweltschäden durch Messstoffreste

Messstoffreste im ausgebauten Gerät können zur Gefährdung von Personen, Umwelt und Einrichtung führen.

- ▶ Bei Gefahrstoffen das Sicherheitsdatenblatt für den entsprechenden Messstoff beilegen.
- ▶ Gerät reinigen, siehe Kapitel 7.2 „Reinigung“.

Zur Rücksendung des Gerätes die Originalverpackung verwenden. Wenn möglich einen Beutel mit Trocknungsmittel der Verpackung beifügen.



Hinweise zur Rücksendung befinden sich in der Rubrik „Service“ auf unserer lokalen Internetseite.

8.3 Entsorgung

Durch falsche Entsorgung können Gefahren für die Umwelt entstehen. Gerätekomponten und Verpackungsmaterialien entsprechend den landesspezifischen Abfallbehandlungs- und Entsorgungsvorschriften umweltgerecht entsorgen.



Nicht mit dem Hausmüll entsorgen. Für eine geordnete Entsorgung gemäß nationaler Vorgaben sorgen.

9. Technische Daten

9. Technische Daten

Basisinformationen

Gehäuse	Kunststoff
Befestigungsart	Schalttafeleinbau mit Rasten bis 3 mm Wandstärke
Messleitung	
Messleitungsaustritt	Rückseitig
Länge	Max. 3 m [9,8 ft]
Werkstoff (messstoffberührt)	Kunststoff (PE)

Genauigkeitsangaben

Anzeigegenauigkeit	±1 K
--------------------	------

Messbereich

Messbereich ¹⁾	-50 ... +120 °C [-58 ... +248 °F]
---------------------------	-----------------------------------

Digitalanzeige

Anzeigetyp	LC-Display	
Display-Anzeigebereich ²⁾	■ -39,9 ... +39,9 °C ■ -39,9 ... +49,9 °C ■ 0 ... 120 °C ■ -39,9 ... +99,9 °F	
Displayauflösung	-39,9 ... +39,9 °C	0,1 °C
	-39,9 ... +49,9 °C	0,1 °C
	0 ... 120 °C	1 °C
	-39,9 ... +99,9 °F	0,1 °F
Mindestbeleuchtungsstärke (Solarpanel)	Kaltlicht	> 140 Lux
	Tageslicht	> 80 Lux
Ziffernhöhe	12 mm	
Hilfsenergie	Energieversorgung über eingebaute Batterie oder integrierte Solarzelle	

1) Ein Unter- oder Überschreiten des Messbereichs ist nicht zulässig, da er zum Defekt des Gerätes führt. Es ist darauf zu achten, dass die zulässige Temperatur am Gehäuse nicht unter- oder überschritten wird.

2) Beim Über- oder unterschreiten des Anzeigebereichs beginnt die Anzeige zu blinken und zeigt keine korrekten Werte mehr an. Befindet sich die Medientemperatur wieder innerhalb des Anzeigebereichs, wechselt die Anzeige zurück in den Anzeigemodus.

9. Technische Daten

Einsatzbedingungen	
Umgebungstemperaturbereich	-30 ... +60 °C [-22 ... +140 °F]
Lagertemperaturbereich	-20 ... +50 °C [-4 ... +122 °F]
Schutzart des Gesamtgerätes	IP68

Weitere technische Daten siehe WIKA-Datenblatt TE 85.01 und Bestellunterlagen.

DE

DE

Sommaire

1. Généralités	36
2. Conception et fonction	37
3. Sécurité	39
4. Transport, emballage et stockage	42
5. Mise en service, utilisation	43
6. Dysfonctionnements	44
7. Entretien et nettoyage	45
8. Démontage, retour et mise au rebut	46
9. Spécifications	48

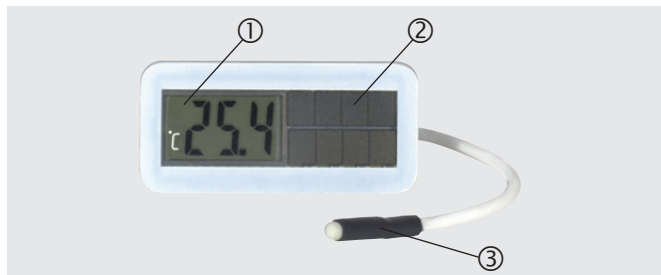
1. Généralités

- Le thermomètre digital à longue durée de vie décrit dans le mode d'emploi est conçu et fabriqué selon les dernières technologies en vigueur. Tous les composants sont soumis à des critères de qualité et d'environnement stricts durant la fabrication. Nos systèmes de gestion sont certifiés selon ISO 9001 et ISO 14001.
- Ce mode d'emploi donne des indications importantes concernant l'utilisation de l'instrument. Il est possible de travailler en toute sécurité avec ce produit en respectant toutes les consignes de sécurité et d'utilisation.
- Respecter les prescriptions locales de prévention contre les accidents et les prescriptions générales de sécurité en vigueur pour le domaine d'application de l'instrument.
- Le mode d'emploi fait partie de l'instrument et doit être conservé à proximité immédiate de l'instrument et accessible à tout moment pour le personnel qualifié. Confier le mode d'emploi à l'utilisateur ou propriétaire ultérieur de l'instrument.
- Le personnel qualifié doit, avant de commencer toute opération, avoir lu soigneusement et compris le mode d'emploi.
- Les conditions générales de vente mentionnées dans les documents de vente s'appliquent.
- Sous réserve de modifications techniques.
- Pour obtenir d'autres informations :
 - Site Internet : www.wika.fr
 - Fiche technique correspondante : TE 85.01
 - Conseiller applications : Tél. : 0 820 95 10 10 (0,15 €/min)
info@wika.fr

2. Conception et fonction

2. Conception et fonction

2.1 Vue générale



FR

- ① Affichage LCD
- ② Panneau solaire
- ③ Sonde de température

2.2 Description

Le thermomètre digital à longue durée de vie type TF-LCD est composé d'un thermomètre à insertion avec une ligne de mesure allant jusqu'à 3 m et d'un affichage LCD connecté en permanence.

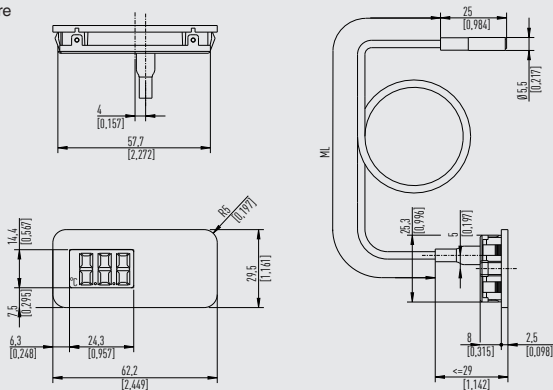
L'affichage LCD est alimenté par une batterie intégrée (non remplaçable) ou un panneau solaire intégré ; il ne nécessite aucune tension d'alimentation séparée.

Tous les composants électriques sont protégés contre la poussière.

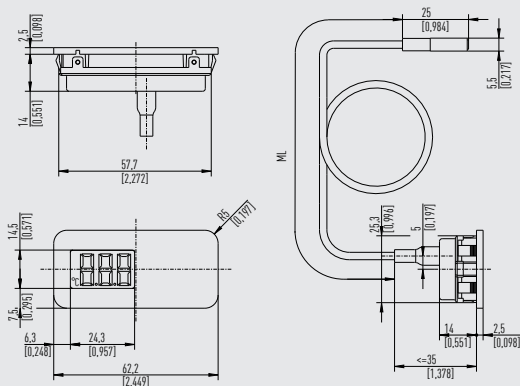
2. Conception et fonction

2.3 Dimensions en mm [pouces]

Solaire



Batterie



2.4 Détail de la livraison

Comparer le détail de la livraison avec le bordereau de livraison.

3. Sécurité

3.1 Explication des symboles



AVERTISSEMENT !

... indique une situation présentant des risques susceptibles de provoquer la mort ou des blessures graves si elle n'est pas évitée.



ATTENTION !

... indique une situation potentiellement dangereuse et susceptible de provoquer de légères blessures ou des dommages matériels et pour l'environnement si elle n'est pas évitée.



Information

... met en exergue des conseils et recommandations utiles de même que des informations permettant d'assurer un fonctionnement efficace et normal.

3.2 Utilisation conforme à l'usage prévu

Le thermomètre digital à longue durée de vie type TF-LCD permet de mesurer la température dans de multiples applications industrielles dans le secteur du refroidissement et de la réfrigération ainsi que dans le secteur du chauffage, du conditionnement d'air et de la ventilation. Il est conçu pour être installé dans un boîtier, un panneau de contrôle, une console ou des endroits similaires. Cet instrument n'est pas homologué pour une utilisation dans des zones dangereuses !

L'instrument est conçu et construit exclusivement pour une utilisation conforme à l'usage prévu décrit ici et ne doit être utilisé qu'en conséquence.

Les spécifications techniques mentionnées dans ce mode d'emploi doivent être respectées. En cas d'utilisation non conforme ou de fonctionnement de l'instrument en dehors des spécifications techniques, un arrêt et contrôle doivent être immédiatement effectués par un collaborateur autorisé du service de WIKA.

Aucune réclamation ne peut être recevable en cas d'utilisation non conforme à l'usage prévu.

3.3 Utilisation inappropriée



AVERTISSEMENT !

Blessures à cause d'une utilisation inappropriée

Une utilisation inappropriée peut conduire à des situations dangereuses et à des blessures.

- ▶ S'abstenir de modifications non autorisées sur l'instrument.
- ▶ Ne pas utiliser l'instrument en zone explosive.
- ▶ Ne pas utiliser l'instrument avec un fluide abrasif ou visqueux.

FR

Toute utilisation différente ou au-delà de l'utilisation prévue est considérée comme inappropriée.

3.4 Responsabilité de l'opérateur

L'instrument est prévu pour un usage dans le domaine industriel.

L'opérateur est de ce fait responsable des obligations légales en matière de sécurité du travail.

Les instructions de sécurité de ce mode d'emploi comme les réglementations liées à la sécurité, à la prévention des accidents et à la protection de l'environnement pour la zone d'application de l'instrument doivent être respectées.

Il convient d'observer les informations indiquées sur la plaque signalétique.

Afin de travailler en toute sécurité sur l'instrument, la société exploitante doit s'assurer

- que le personnel de service reçoit à intervalles réguliers des instructions relatives à toutes les questions pertinentes concernant la sécurité du travail, les premiers secours et la protection de l'environnement et qu'il connaît le mode d'emploi et particulièrement les consignes de sécurité contenues dans celui-ci.
- que l'instrument est adapté à l'application en respect de l'usage prévu de l'instrument.
- qu'un équipement de protection individuelle est disponible.

3. Sécurité

3.5 Qualification du personnel



AVERTISSEMENT !

Danger de blessure en cas de qualification insuffisante

Une utilisation non conforme peut entraîner d'importants dommages corporels et matériels.

- ▶ Les opérations décrites dans ce mode d'emploi ne doivent être effectuées que par un personnel ayant la qualification décrite ci-après.

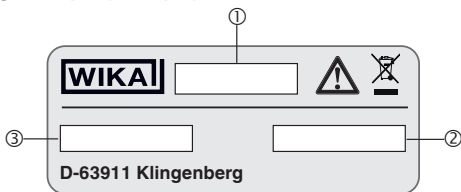
Personnel qualifié

Le personnel qualifié, autorisé par l'opérateur, est, en raison de sa formation spécialisée, de ses connaissances dans le domaine de l'instrumentation de mesure et de régulation et de son expérience, de même que de sa connaissance des réglementations nationales et des normes en vigueur, en mesure d'effectuer les travaux décrits et d'identifier de façon autonome les dangers potentiels.

FR

3.6 Etiquetage, marquages de sécurité

Plaque signalétique (exemple)



- ① Type
- ② Numéro de commande de production
- ③ Echelle de mesure



Lire impérativement le mode d'emploi avant le montage et la mise en service de l'instrument !



Ne pas mettre au rebut avec les ordures ménagères. Assurer une mise au rebut correcte en conformité avec les réglementations nationales.

4. Transport, emballage et stockage

4.1 Transport

Vérifier s'il existe des dégâts sur l'instrument liés au transport.
Communiquer immédiatement les dégâts constatés.



ATTENTION !

Dommages liés à un transport inapproprié

Un transport inapproprié peut donner lieu à des dommages importants.

- ▶ Lors du déchargement des colis à la livraison comme lors du transport des colis en interne après réception, il faut procéder avec soin et observer les consignes liées aux symboles figurant sur les emballages.
- ▶ Lors du transport en interne, observer les instructions du chapitre 4.2 "Emballage et stockage".

Si l'instrument est transporté d'un environnement froid dans un environnement chaud, la formation de condensation peut provoquer un dysfonctionnement fonctionnel de l'instrument. Il est nécessaire d'attendre que la température de l'instrument se soit adaptée à la température ambiante avant une nouvelle mise en service.

4.2 Emballage et stockage

N'enlever l'emballage qu'avant le montage.

Conserver l'emballage, celui-ci offre, lors d'un transport, une protection optimale (par ex. changement de lieu d'utilisation, renvoi pour réparation).

Conditions admissibles sur le lieu de stockage :

- Température de stockage : -20 ... +50 °C [-4 ... +122 °F]
- Humidité : 35 ... 85 % d'humidité relative (sans condensation)

Eviter les influences suivantes :

- Lumière solaire directe ou proximité d'objets chauds
- Vibrations mécaniques, chocs mécaniques (mouvements brusques en le posant)
- Suie, vapeur, poussière et gaz corrosifs
- Environnements dangereux, atmosphères inflammables

Conserver l'instrument dans l'emballage original dans un endroit qui satisfait aux conditions susmentionnées.

5. Mise en service, utilisation



AVERTISSEMENT !

Blessures physiques et dommages aux équipements et à l'environnement causés par un fluide dangereux

Lors du contact avec un fluide dangereux (par ex. oxygène, acétylène, substances inflammables ou toxiques), un fluide nocif (par ex. corrosif, toxique, cancérigène, radioactif), et également avec des installations de réfrigération et des compresseurs, il y a un danger de blessures physiques et de dommages aux équipements et à l'environnement.

En cas d'erreur, des fluides agressifs peuvent être présents à une température extrême et sous une pression élevée ou sous vide au niveau de l'instrument.

- Pour ces fluides, les codes et directives appropriés existants doivent être observés en plus des réglementations standard.

Pour déterminer le positionnement du module dans l'objet désiré, prendre pour modèle l'arrière du thermomètre et non le côté avec l'affichage LCD.

La taille recommandée du logement est 59,5 x 25,5 mm.

Pour obtenir un positionnement horizontal correct, il est recommandé d'utiliser un niveau à bulle.

1. Créer un logement (comme décrit plus haut) dans l'objet désiré.
2. Guider le câble et le capteur à travers l'orifice.
3. Placer le module sur l'orifice, puis appuyer légèrement sur l'avant (pas sur l'affichage !) jusqu'à ce que le thermomètre se mette en place.
4. Guider ensuite le câble et le capteur vers un emplacement adapté, et les fixer.

Le thermomètre tel qu'il a été livré est prêt à fonctionner. La température mesurée s'affiche sur l'affichage LCD.

Immunité contre les champs rayonnants (DIN EN 61000-4-3)

Dans certaines conditions, des erreurs d'affichage accrues de 5 % au maximum peuvent se produire en présence de puissants champs électromagnétiques avec une gamme de fréquence comprise entre 80 et 90 MHz. Ces erreurs sont réversibles et disparaissent dès que la source d'interférences est retirée. Ne pas installer l'instrument à proximité de sources de puissants champs électromagnétiques, comme des transmetteurs radio.

FR

6. Dysfonctionnements



AVERTISSEMENT !

Blessures physiques et dommages aux équipements et à l'environnement causés par un fluide dangereux

Lors du contact avec un fluide dangereux (par ex. oxygène, acétylène, substances inflammables ou toxiques), un fluide nocif (par ex. corrosif, toxique, cancérigène, radioactif), et également avec des installations de réfrigération et des compresseurs, il y a un danger de blessures physiques et de dommages aux équipements et à l'environnement.

En cas d'erreur, des fluides agressifs peuvent être présents à une température extrême et sous une pression élevée ou sous vide au niveau de l'instrument.

- ▶ Pour ces fluides, les codes et directives appropriés existants doivent être observés en plus des régulations standard.



ATTENTION !

Blessures physiques et dommages aux équipements et à l'environnement

Si les défauts ne peuvent pas être éliminés au moyen des mesures listées, l'instrument doit être mis hors service immédiatement.

- ▶ Contacter le fabricant.
- ▶ S'il est nécessaire de retourner l'instrument au fabricant, prière de respecter les indications mentionnées au chapitre 8.2 "Retour".



Pour le détail des contacts, voir le chapitre 1 "Généralités" ou au dos du mode d'emploi.

6. Dysfonctionnements / 7. Entretien et nettoyage

Dysfonctionnements	Causes possibles	Mesures
L'affichage clignote	En dehors de l'échelle de mesure	Replacer le fluide dans l'échelle de mesure en le refroidissant ou en le réchauffant
Pas d'affichage	Batterie déchargée	Remplacer l'instrument
	Luminosité insuffisante pour le panneau solaire	Si possible, déplacer l'affichage vers un endroit plus lumineux

FR

7. Entretien et nettoyage



Pour le détail des contacts, voir le chapitre 1 "Généralités" ou au dos du mode d'emploi.

7.1 Entretien

Cet instrument ne requiert aucun entretien.

Les réparations ne doivent être effectuées que par le fabricant.

7.2 Nettoyage



ATTENTION !

Blessures physiques et dommages aux équipements et à l'environnement

Un nettoyage inapproprié peut conduire à des blessures physiques et à des dommages aux équipements ou à l'environnement. Les restes de fluides se trouvant dans les instruments démontés peuvent mettre en danger les personnes, l'environnement ainsi que l'installation.

- ▶ Effectuer la procédure de nettoyage comme décrit ci-dessous.



ATTENTION !

Dommages à l'instrument

Un nettoyage inapproprié peut conduire à l'endommagement de l'instrument !

- ▶ Ne pas utiliser de détergents agressifs.
- ▶ Ne pas utiliser d'objets pointus ou durs pour le nettoyage.

Nettoyer l'instrument avec un chiffon humide. Utiliser l'équipement de protection requis.

Nettoyer l'instrument démonté afin de protéger les personnes et l'environnement contre le danger lié aux résidus de fluides.

8. Démontage, retour et mise au rebut

FR



AVERTISSEMENT !

Blessures physiques et dommages aux équipements et à l'environnement liés aux résidus de fluides

Les restes de fluides se trouvant dans les instruments démontés peuvent mettre en danger les personnes, l'environnement ainsi que l'installation.

- ▶ Observer les informations de la fiche de données de sécurité du fluide correspondant.
- ▶ Laver et décontaminer l'instrument démonté afin de protéger les personnes et l'environnement contre le danger lié aux résidus de fluides.

8.1 Démontage



AVERTISSEMENT !

Blessures physiques et dommages aux équipements et à l'environnement liés aux résidus de fluides

Lors du contact avec un fluide dangereux (par ex. oxygène, acétylène, substances inflammables ou toxiques), un fluide nocif (par ex. corrosif, toxique, cancérigène, radioactif), et également avec des installations de réfrigération et des compresseurs, il y a un danger de blessures physiques et de dommages aux équipements et à l'environnement.

- ▶ Avant de stocker l'instrument démonté (à la suite de son utilisation), le nettoyer afin de protéger le personnel et l'environnement contre le danger lié aux résidus de fluides.
- ▶ Observer les informations de la fiche de données de sécurité du fluide correspondant.

8. Démontage, retour et mise au rebut



AVERTISSEMENT !

Blessure physique

Lors du démontage, le danger peut provenir de fluides agressifs.

- ▶ Observer les informations de la fiche de données de sécurité du fluide correspondant.

8.2 Retour

En cas de renvoi de l'instrument, il faut respecter impérativement les points suivants :

Tous les instruments livrés à WIKA doivent être exempts de substances dangereuses (acides, bases, solutions, etc.) et doivent donc être nettoyés avant d'être retournés.

FR



AVERTISSEMENT !

Blessures physiques et dommages aux équipements et à l'environnement liés aux résidus de fluides

Les restes de fluides se trouvant dans les instruments démontés peuvent mettre en danger les personnes, l'environnement ainsi que l'installation.

- ▶ Avec les substances dangereuses, inclure la fiche technique de sécurité de matériau pour le fluide correspondant.
- ▶ Nettoyer l'instrument, voir chapitre 7.2 "Nettoyage".

Pour retourner l'instrument, utiliser l'emballage original.

Mettre si possible un sachet absorbant d'humidité dans l'emballage.



Des informations relatives à la procédure de retour sont disponibles sur notre site Internet à la rubrique "Services".

8.3 Mise au rebut

Une mise au rebut inadéquate peut entraîner des dangers pour l'environnement.

Éliminer les composants des instruments et les matériaux d'emballage conformément aux prescriptions nationales pour le traitement et l'élimination des déchets et aux lois de protection de l'environnement en vigueur.



Ne pas mettre au rebut avec les ordures ménagères. Assurer une mise au rebut correcte en conformité avec les réglementations nationales.

9. Spécifications

9. Spécifications

Informations de base

Boîtier	Plastique
Option d'installation	Pour montage panneau, avec clips de fixation jusqu'à une épaisseur de paroi de 3 mm
Gaine	
Sortie de gaine	Plongeur arrière
Longueur	Max. 3 m [9,8 ft]
Matériau (en contact avec le fluide)	Plastique (PE)

Caractéristiques de précision

Précision de mesure	±1 K
---------------------	------

Etendue de mesure

Etendue de mesure ¹⁾	-50 ... +120 °C [-58 ... +248 °F]
---------------------------------	-----------------------------------

Affichage numérique

Type d'affichage	Affichage LCD	
Plage d'indication ²⁾	■ -39,9 ... +39,9 °C ■ -39,9 ... +49,9 °C ■ 0 ... 120 °C ■ -39,9 ... +99,9 °F	
Résolution d'affichage	-39,9 ... +39,9 °C	0,1 °C
	-39,9 ... +49,9 °C	0,1 °C
	0 ... 120 °C	1 °C
	-39,9 ... +99,9 °F	0,1 °F
Luminosité minimale (panneau solaire)	Lumière froide	> 140 Lux
	Lumière du jour	> 80 Lux
Taille des caractères	12 mm	
Tension d'alimentation	Alimentation électrique par une batterie intégrée ou une cellule photovoltaïque intégrée	

1) Dépasser ou ne pas atteindre l'étendue de mesure n'est pas toléré, car cela va occasionner une défaillance de l'instrument. Il faut s'assurer que la température au boîtier ne dépasse pas ou ne tombe pas en-dessous de la température maximale admissible.

2) Si l'on dépasse ou tombe en-dessous de l'étendue de mesure, l'affichage commence à clignoter et n'indique plus des valeurs correctes. Une fois que la température du fluide est revenue dans les limites de l'étendue de mesure, l'écran revient au mode d'affichage.

9. Spécifications

Conditions de fonctionnement	
Plage de température ambiante	-30 ... +60 °C [-22 ... +140 °F]
Plage de température de stockage	-20 ... +50 °C [-4 ... +122 °F]
Indice de protection de l'instrument tout entier	IP68

Pour de plus amples spécifications, voir la fiche technique WIKA TE 85.01 et la documentation de commande.

FR

Contenido

1. Información general	52
2. Diseño y función	53
3. Seguridad	55
4. Transporte, embalaje y almacenamiento	58
5. Puesta en servicio, funcionamiento	59
6. Errores	60
7. Mantenimiento y limpieza	61
8. Desmontaje, devolución y eliminación de residuos	62
9. Datos técnicos	64

1. Información general

1. Información general

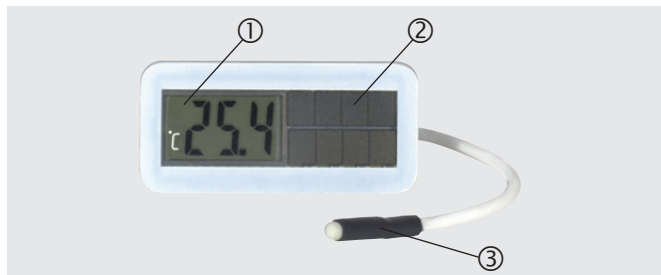
- El termómetro digital Longlife descrito en el manual de instrucciones está construido y fabricado según el estado actual de la técnica. Todos los componentes están sometidos durante su fabricación a estrictos criterios de calidad y medioambientales. Nuestros sistemas de gestión están certificados según ISO 9001 e ISO 14001.
- Este manual de instrucciones proporciona indicaciones importantes acerca del manejo del instrumento. Para un trabajo seguro, es imprescindible cumplir con todas las instrucciones de seguridad y manejo indicadas.
- Cumplir siempre las normativas sobre la prevención de accidentes y las normas de seguridad en vigor en el lugar de utilización del instrumento.
- El manual de instrucciones es una parte integrante del instrumento y debe guardarse en la proximidad del mismo para que el personal especializado pueda consultarlo en cualquier momento. Entregar el manual de instrucciones al usuario o propietario siguiente del instrumento.
- El personal especializado debe haber leído y entendido el manual de instrucciones antes de comenzar cualquier trabajo.
- Se aplican las condiciones generales de venta incluidas en la documentación de venta.
- Modificaciones técnicas reservadas.
- Para obtener más información consultar:
 - Página web: www.wika.es
 - Hoja técnica correspondiente: TE 85.01
 - Servicio técnico: Tel.: +34 933 938 630
info@wika.es

ES

2. Diseño y función

2. Diseño y función

2.1 Resumen



ES

- ① Pantalla LCD
- ② Panel solar
- ③ Termómetro de inserción

2.2 Descripción

El termómetro digital Longlife modelo TF-LCD consta de un termómetro de inserción con hasta 3 metros de línea de medición y una pantalla digital LC de conexión permanente.

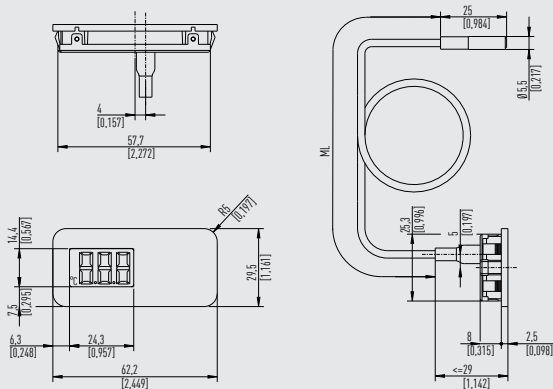
La pantalla LC se alimenta de una batería integrada (no intercambiable) o de un panel solar integrado y no requiere ninguna tensión de alimentación independiente.

Todos los componentes eléctricos están protegidos contra polvo.

2. Diseño y función

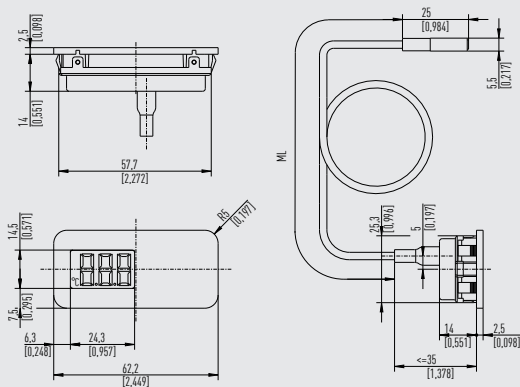
2.3 Dimensiones en mm [pulg]

Solar



14204741.02

Pila



14204741.02

2.4 Alcance del suministro

Verificar con el albarán si se han entregado todas las piezas.

3. Seguridad

3. Seguridad

3.1 Explicación de símbolos



¡ADVERTENCIA!

... señala una situación probablemente peligrosa que puede causar la muerte o lesiones graves si no se evita.



¡CUIDADO!

... señala una situación probablemente peligrosa que puede causar lesiones leves o medianas o daños materiales y al medio ambiente si no se evita.



Información

... destaca consejos y recomendaciones útiles así como informaciones para una utilización eficiente y libre de errores.

3.2 Uso conforme a lo previsto

El termómetro digital Longlife modelo TF-LCD se utiliza para la medición de la temperatura en las más diversas aplicaciones industriales en la tecnología de refrigeración y enfriamiento, así como en la tecnología de calefacción, aire acondicionado y ventilación. Está diseñado para su instalación en una caja, panel de control, consola o similar. ¡El instrumento no está homologado para aplicaciones en zonas potencialmente explosivas!

El instrumento ha sido diseñado y construido únicamente para la finalidad aquí descrita y debe utilizarse en conformidad a la misma.

Cumplir las especificaciones técnicas de este manual de instrucciones. Un manejo no apropiado o una utilización del instrumento no conforme a las especificaciones técnicas requiere la inmediata puesta fuera de servicio y la comprobación por parte de un técnico autorizado por WIKA.

No se admite ninguna reclamación debido a un manejo no adecuado.

3. Seguridad

3.3 Uso incorrecto



¡ADVERTENCIA!

Lesiones por uso incorrecto

El uso incorrecto del dispositivo puede causar lesiones graves o la muerte.

- ▶ Abstenerse de realizar modificaciones no autorizadas del dispositivo.
- ▶ No utilizar el dispositivo en zonas potencialmente explosivas.
- ▶ No utilizar el instrumento para medios abrasivos ni viscosos.

ES

Cualquier uso que no sea el previsto para este dispositivo es considerado como uso incorrecto.

3.4 Responsabilidad del usuario

El dispositivo se utiliza en el sector industrial. Por lo tanto, el usuario está sujeto a las responsabilidades legales para la seguridad en el trabajo.

Se debe cumplir las notas de seguridad en este manual de instrucciones, así como la validez de las normas de seguridad del instrumento, de prevención de accidentes y protección del medio ambiente.

Observe las indicaciones de la etiqueta del producto.

Para realizar un trabajo seguro en el instrumento el usuario ha de asegurarse de que

- los operadores reciban periódicamente instrucciones sobre todos los temas de seguridad de trabajo, primeros auxilios y protección del medio ambiente, y conozcan además el manual de instrucciones y en particular las instrucciones de seguridad del mismo.
- el instrumento sea adecuado de acuerdo con el uso previsto para la aplicación.
- que el equipo de protección personal esté disponible.

3. Seguridad

3.5 Cualificación del personal



¡ADVERTENCIA!

Riesgo de lesiones debido a una insuficiente cualificación

Un manejo no adecuado puede causar considerables daños personales y materiales.

- ▶ Las actividades descritas en este manual de instrucciones deben realizarse únicamente por personal especializado con la consiguiente cualificación.

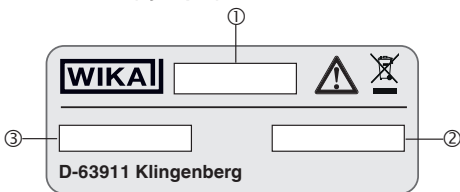
Personal especializado

Debido a su formación profesional, a sus conocimientos de la técnica de regulación y medición así como a su experiencia y su conocimiento de las normativas, normas y directivas vigentes en el país de utilización el personal especializado autorizado por el usuario es capaz de ejecutar los trabajos descritos y reconocer posibles peligros por sí solo.

ES

3.6 Rótulos, marcajes de seguridad

Placa de identificación (ejemplo)



- ① Modelo
- ② Número de orden de fabricación
- ③ Rango de indicación



¡Es absolutamente necesario leer el manual de instrucciones antes del montaje y la puesta en servicio del instrumento!



No eliminar en las basuras domésticas. Garantizar una eliminación correcta según las prescripciones nacionales.

4. Transporte, embalaje y almacenamiento

4. Transporte, embalaje y almacenamiento

4.1 Transporte

Comprobar si el instrumento presenta eventuales daños causados en el transporte. Notificar daños obvios de forma inmediata.



¡CUIDADO!

Daños debidos a un transporte inadecuado

Transportes inadecuados pueden causar daños materiales considerables.

- ▶ Tener cuidado al descargar los paquetes durante la entrega o el transporte dentro de la compañía y respetar los símbolos en el embalaje.
- ▶ Observar las instrucciones en el capítulo 4.2 “Embalaje y almacenamiento” en el transporte dentro de la compañía.

Si se transporta el instrumento de un ambiente frío a uno caliente, puede producirse un error de funcionamiento en el mismo. En tal caso, hay que esperar que la temperatura del instrumento se adapte a la temperatura ambiente antes de volver a ponerlo en funcionamiento.

4.2 Embalaje y almacenamiento

No quitar el embalaje hasta justo antes del montaje.

Guardar el embalaje ya que es la protección ideal durante el transporte (por. ej. si el lugar de instalación cambia o si se envía el instrumento para posibles reparaciones).

Condiciones admisibles en el lugar de almacenamiento:

- Temperatura de almacenamiento: -20 ... +50 °C [-4 ... +122 °F]
- Humedad: 35 ... 85 % de humedad relativa (sin rocío)

Evitar lo siguiente:

- Luz solar directa o proximidad a objetos calientes
- Vibración mecánica, impacto mecánico (colocación brusca)
- Hollín, vapor, polvo y gases corrosivos
- Entorno potencialmente explosivo, atmósferas inflamables

Almacenar el instrumento en su embalaje original en un lugar que cumple las condiciones arriba mencionadas.

5. Puesta en servicio, funcionamiento



¡ADVERTENCIA!

Lesiones corporales, daños materiales y del medio ambiente causados por medios peligrosos

En caso de contacto con medios peligrosos (p. ej. oxígeno, acetileno, inflamables o tóxicos) medios nocivos para la salud (p. ej. corrosivos, tóxicos, cancerígenos, radioactivos) y con sistemas de refrigeración o compresores, existe el peligro de lesiones corporales, daños materiales y al medio ambiente. En caso de fallo es posible que haya medios agresivos con temperaturas extremas o de bajo presión o que haya un vacío en el instrumento.

- ▶ En el tratamiento de estos medios se debe observar las reglas específicas además de las reglas generales.

Para determinar la posición del módulo en el objeto deseado, utilice la parte posterior del termómetro -no el lado con la pantalla LC- como plantilla.

El tamaño recomendado del hueco es de 59,5 x 25,5 mm.

Para un correcto posicionamiento horizontal, se recomienda utilizar un nivel de burbuja.

1. Cree un hueco (como se ha descrito anteriormente) en el objeto deseado.
2. Pase el cable y el sensor por el agujero.
3. Coloque el módulo en el orificio y, a continuación, presione ligeramente en la parte delantera (¡no en la pantalla!) hasta que el termómetro encaje en su sitio.
4. Ahora lleve el cable y el sensor a un lugar adecuado y fíjelos.

El termómetro está listo para funcionar en su estado de entrega. La temperatura medida se muestra en la pantalla LC.

Inmunidad contra campos radiados (DIN EN 61000-4-3)

En determinadas condiciones, pueden producirse errores de indicación aumentados de un máximo del 5 % en presencia de fuertes campos electromagnéticos con un rango de frecuencia de entre 80 y 90 MHz. Estos errores son reversibles y desaparecen en cuanto se elimina la fuente de interferencia. No instale el instrumento cerca de fuentes de fuertes campos electromagnéticos, por ejemplo, transmisores de radio.

6. Errores

ES



¡ADVERTENCIA!

Lesiones corporales, daños materiales y del medio ambiente causados por medios peligrosos

En caso de contacto con medios peligrosos (p. ej. oxígeno, acetileno, inflamables o tóxicos) medios nocivos para la salud (p. ej. corrosivos, tóxicos, cancerígenos, radioactivos) y con sistemas de refrigeración o compresores, existe el peligro de lesiones corporales, daños materiales y al medio ambiente. En caso de fallo es posible que haya medios agresivos con temperaturas extremas o de bajo presión o que haya un vacío en el instrumento.

- ▶ En el tratamiento de estos medios se debe observar las reglas específicas además de las reglas generales.



¡CUIDADO!

Lesiones corporales, daños materiales y del medio ambiente

Si no se pueden solucionar los defectos mencionados se debe poner el dispositivo inmediatamente fuera de servicio.

- ▶ Contactar el fabricante.
- ▶ En caso de devolución, observar las indicaciones del capítulo 8.2 "Devolución".



Datos de contacto ver capítulo 1 "Información general" o parte posterior del manual de instrucciones.

6. Errores / 7. Mantenimiento y limpieza

Errores	Causa posible	Medidas
El indicador parpadea	Está por debajo o excede el rango de la escala	Devolver el medio al rango de la balanza enfriándolo o calentándolo
No hay indicación	Descargar la batería	Sustituir el instrumento
	La luminosidad no es suficiente para el panel solar	Si es posible, traslade la pantalla a un lugar más luminoso

7. Mantenimiento y limpieza

ES



Datos de contacto ver capítulo 1 “Información general” o parte posterior del manual de instrucciones.

7.1 Mantenimiento

Este instrumento no requiere mantenimiento.

Todas las reparaciones solamente las debe efectuar el fabricante.

7.2 Limpieza



¡CUIDADO!

Lesiones corporales, daños materiales y del medio ambiente

Una limpieza inadecuada puede provocar lesiones corporales, daños materiales y del medio ambiente. Medios residuales en el instrumento desmontado pueden causar riesgos para personas, medio ambiente e instalación.

- ▶ Realizar el proceso de limpieza tal como se describe a continuación.



¡CUIDADO!

Daño al dispositivo

¡Una limpieza inadecuada puede dañar el dispositivo!

- ▶ No utilizar productos de limpieza agresivos.
- ▶ No utilizar objetos duros o puntiagudos para limpiar.

Limpiar el instrumento con un trapo húmedo. Utilizar el equipo de protección necesario.

Limpiar el dispositivo desmontado para proteger a las personas y el medio ambiente contra peligros por medios residuales adheridos.

8. Desmontaje, devolución y eliminación de residuos

ES



¡ADVERTENCIA!

Lesiones corporales, daños materiales y del medio ambiente por medios residuales

Medios residuales en el instrumento desmontado pueden causar riesgos para personas, medio ambiente e instalación.

- ▶ Observar la ficha de datos de seguridad correspondiente al medio.
- ▶ Enjuagar y limpiar el dispositivo desmontado para proteger a las personas y el medio ambiente contra peligros por medios residuales adherentes.

8.1 Desmontaje



¡ADVERTENCIA!

Lesiones corporales, daños materiales y del medio ambiente por medios residuales

En caso de contacto con medios peligrosos (p. ej. oxígeno, acetileno, inflamables o tóxicos) medios nocivos para la salud (p. ej. corrosivos, tóxicos, cancerígenos, radioactivos) y con sistemas de refrigeración o compresores, existe el peligro de lesiones corporales, daños materiales y al medio ambiente.

- ▶ Limpiar el dispositivo desmontado (tras servicio) antes de proceder con su almacenaje, para proteger a las personas y el medio ambiente de la exposición a restos de medios adherentes.
- ▶ Observar la ficha de datos de seguridad correspondiente al medio.

8. Desmontaje, devolución y eliminación de ...



¡ADVERTENCIA!

Lesión corporal

Al desmontar existe el peligro debido a los medios agresivos.

- ▶ Observar la ficha de datos de seguridad correspondiente al medio.

8.2 Devolución

Es imprescindible observar lo siguiente para el envío del instrumento:

Todos los instrumentos enviados a WIKA deben estar libres de sustancias peligrosas (ácidos, lejías, soluciones, etc.) y, por lo tanto, deben limpiarse antes de devolver.



¡ADVERTENCIA!

Lesiones corporales, daños materiales y del medio ambiente por medios residuales

Medios residuales en el instrumento desmontado pueden causar riesgos para personas, medio ambiente e instalación.

- ▶ En caso de sustancias peligrosas adjuntar la ficha de datos de seguridad correspondiente al medio.
- ▶ Limpieza del dispositivo, consultar capítulo 7.2 "Limpieza".

Para efectuar la devolución, utilizar el embalaje original.

Si es posible, adjuntar una bolsa con secante.



Comentarios sobre el procedimiento de las devoluciones se encuentran en el apartado "Servicio" en nuestra página web local.

8.3 Eliminación de residuos

Una eliminación incorrecta puede provocar peligros para el medio ambiente. Eliminar los componentes de los instrumentos y los materiales de embalaje conforme a los reglamentos relativos al tratamiento de residuos y eliminación vigentes en el país de utilización.



No eliminar en las basuras domésticas. Garantizar una eliminación correcta según las prescripciones nacionales.

ES

9. Datos técnicos

9. Datos técnicos

Información básica

Caja	Plástico
Tipo de montaje	Versión para montaje en panel con pinzas de muelle de hasta 3 mm de espesor de pared
Capilar	
Salida del capilar	Dorsal
Longitud	Máx. 3 m [9,8 pies]
Material (en contacto con el medio)	Plástico (PE)

Datos de exactitud

Exactitud de indicación	±1 K
-------------------------	------

Rango de medición

Rango de medición ¹⁾	-50 ... +120 °C [-58 ... +248 °F]
---------------------------------	-----------------------------------

Indicador digital

Tipo de indicación	Pantalla LCD	
Rango de indicación de la pantalla ²⁾	■ -39,9 ... +39,9 °C ■ -39,9 ... +49,9 °C ■ 0 ... 120 °C ■ -39,9 ... +99,9 °F	
Resolución de la pantalla	-39,9 ... +39,9 °C	0,1 °C
	-39,9 ... +49,9 °C	0,1 °C
	0 ... 120 °C	1 °C
	-39,9 ... +99,9 °F	0,1 °F
Iluminación mínima (panel solar)	Luz fría	> 140 Lux
	Luz diurna	> 80 Lux
Altura de caracteres	12 mm	
Alimentación auxiliar	Alimentación mediante batería incorporada o célula solar integrada	

- 1) No está permitido sobrepasar o quedar por debajo del rango de medición, ya que esto provocaría un defecto en el instrumento. Asegúrese de que la temperatura en la caja no exceda la temperatura permitida o caiga por debajo de ella.
- 2) Cuando se sobrepasa del rango de la escala o se queda por debajo de él, la pantalla empieza a parpadear y deja de mostrar los valores correctos. Cuando la temperatura del medio vuelve a estar dentro del rango de la escala, la pantalla regresa al modo de visualización.

9. Datos técnicos

Condiciones de utilización	
Rango de temperaturas ambiente	-30 ... +60 °C [-22 ... +140 °F]
Rango de temperatura de almacenamiento	-20 ... +50 °C [-4 ... +122 °F]
Tipo de protección de todo el instrumento	IP68

Para consultar más datos técnicos, veáse la hoja técnica de WIKA TE 85.01 y la documentación del pedido.

ES

WIKA subsidiaries worldwide can be found online at www.wika.com.
WIKA-Niederlassungen weltweit finden Sie online unter www.wika.de.
La liste des filiales WIKA dans le monde se trouve sur www.wika.fr.
La lista de las sucursales WIKA en el mundo puede consultarse en www.wika.es.



WIKAI Alexander Wiegand SE & Co. KG
Alexander-Wiegand-Strasse 30
63911 Klingenberg • Germany
Tel. +49 9372 132-0
Fax +49 9372 132-406
info@wika.de
www.wika.de