

Measuring case Incl. digital pressure gauge model CPG1200 Model DMK1200

WIKA data sheet CT 93.04

Applications

- Calibration service companies and service industry
- Calibrations directly on-site
- Maintenance and service facilities
- Pressure test

Special features

- Simple data transmission via USB interface
- Optional data logger for up to 1 million data points
- Ergonomic handling
- Compact dimensions and low weight



Measuring case, model DMK1200

Description

As a supplement to the individual instrument CPG1200, the digital pressure gauge is also available as a part of a measuring case. According to customer requirements, the measuring cases are assembled in different versions. All measuring cases are delivered in a handy case with individually adapted foam inserts.

Application areas

With the measuring case, service and maintenance are more complete, safer and more flexible. The measuring case is high-quality finish, handy and robust and is also suitable for service use. Both connection sets contain various test couplings for adapting to WIKA calibration instruments to existing processes with quick-release couplings series MINIMESS® 1620 or MINIMESS® 1215.

MINIMESS® is a registered trademark of Hydrotechnik GmbH in various countries.

Two connection sets for different systems

In practice, one often finds the 1620 and 1215 series test couplings.

The numbers represent the thread sizes of the test coupling: 1620 stands for the thread size M16 x 2 and 1215 for the thread size M12 x 1.5.

For this reason, WIKA offers one connection set for each of both systems.

Specifications

Digital pressure gauge CPG1200	
Pressure range	<ul style="list-style-type: none"> ■ -1 ... 9 bar ■ -1 ... 15 bar ■ 0 ... 100 bar ■ 0 ... 400 bar ■ 0 ... 600 bar
Accuracy ¹⁾	0.5 % FS ^{2) 3)}
Connection location	Vertical mounting position, process connection lower mount
Process connection	G ¼
Pressure adapters	<ul style="list-style-type: none"> ■ Minimes 1620 ■ Minimes 1215
Data logger	<ul style="list-style-type: none"> ■ Without ■ Integrated data logger (can also be activated subsequently via an activation code)
Approval	Standard - Not permitted to be used in hazardous areas!
Further specifications	→ See data sheet CT 10.20

1) Including non-linearity, hysteresis, zero point offset and end value deviation (corresponds to measured error per IEC 61298-2).

2) FS = Full span = end of measuring range - start of measuring range

3) Always with 3.1 inspection certificate per EN 10204 (factory calibration)

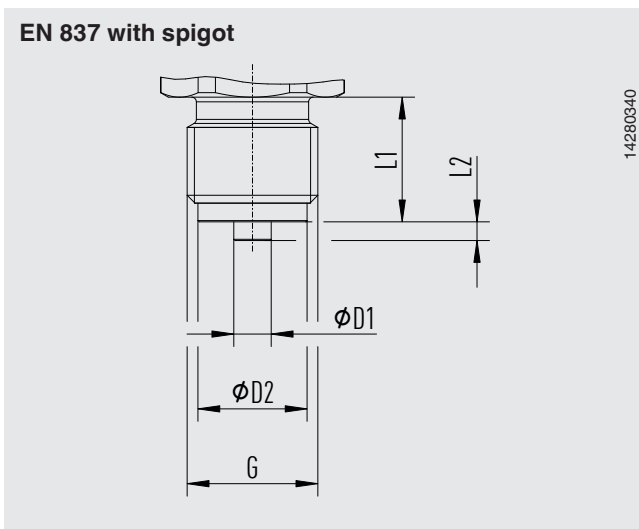
Certificates

Certificates	
Calibration ¹⁾	<ul style="list-style-type: none"> ■ Without ■ 3.1 inspection certificate per DIN EN 10204 ■ DAkkS calibration certificate (traceable and accredited in accordance with ISO/IEC 17025)
Recommended calibration interval	1 year (dependent on conditions of use)

1) Calibrated in vertical mounting position with process connection facing downwards

→ For approvals and certificates, see website

Process connection

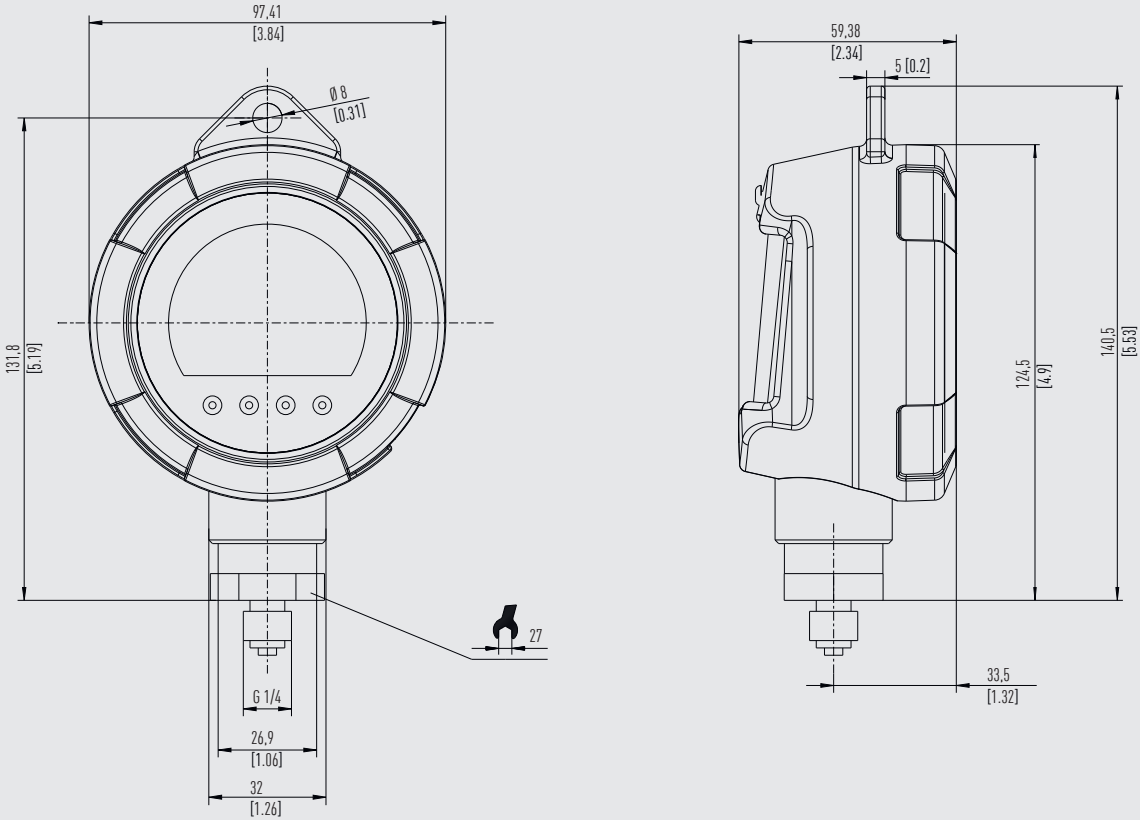


G	L1	L2	D1	D2	ASL
G ¼ B	13 [0.51]	2 [0.08]	5 [0.19]	9.5 [0.374]	013

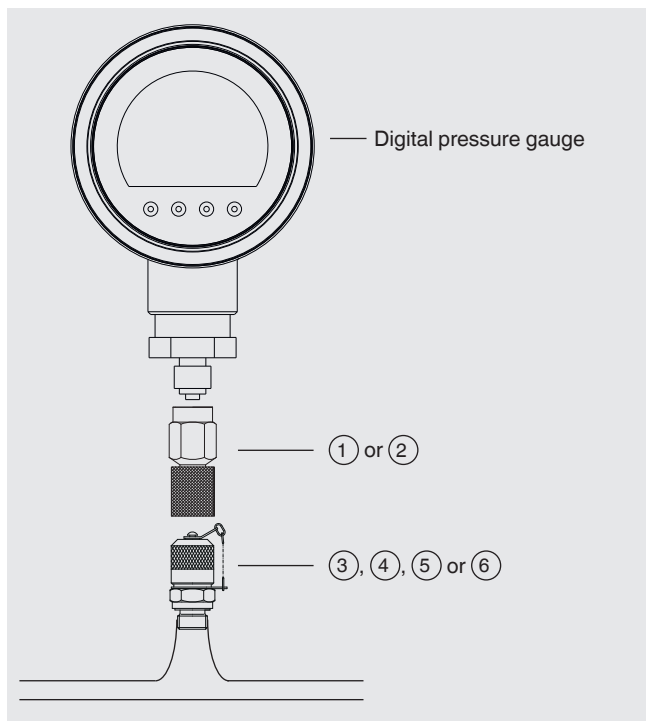
Other connection adapters are available on request.

Dimensions in mm [in]

CPG1200 with protective case cap



Application example: Direct connection of a digital pressure gauge



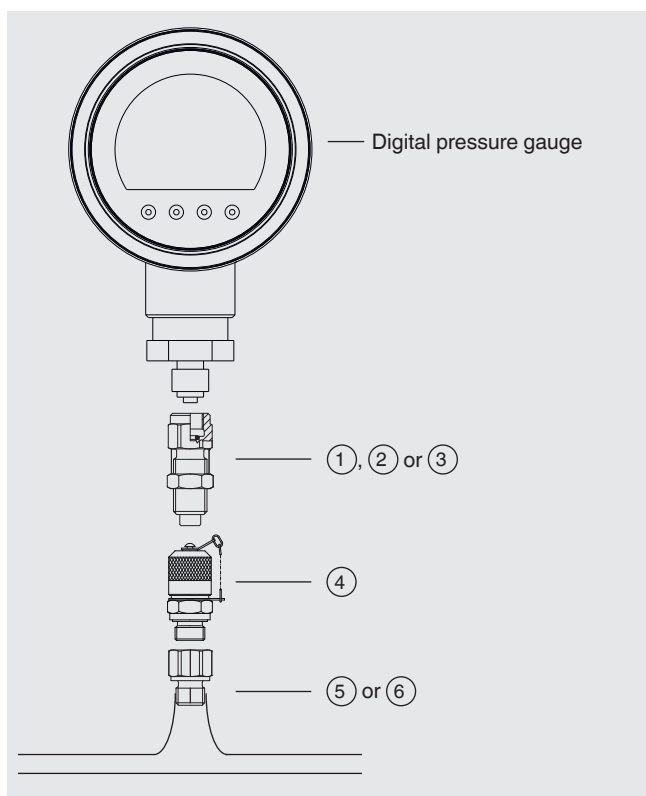
Requirements

- Digital pressure gauge with G ½, G ¼ or ¼ NPT male thread
- Process connection with a G ¼, G ⅜ or ¼ NPT female thread

⇒ Corresponding adapters are available in the WIKA accessories.

No.	Description
①	Direct connection for measuring instrument G ½, female thread
②	Direct connection for measuring instrument ¼ NPT, female thread
③	Test coupling ISO 228-G ¼, male thread
④	Test coupling ISO 228-G ⅜, male thread
⑤	Test coupling ¼ NPTF, male thread
⑥	Test coupling M10 x 1, male thread

Application example: Direct connection of the digital pressure gauge and reducer



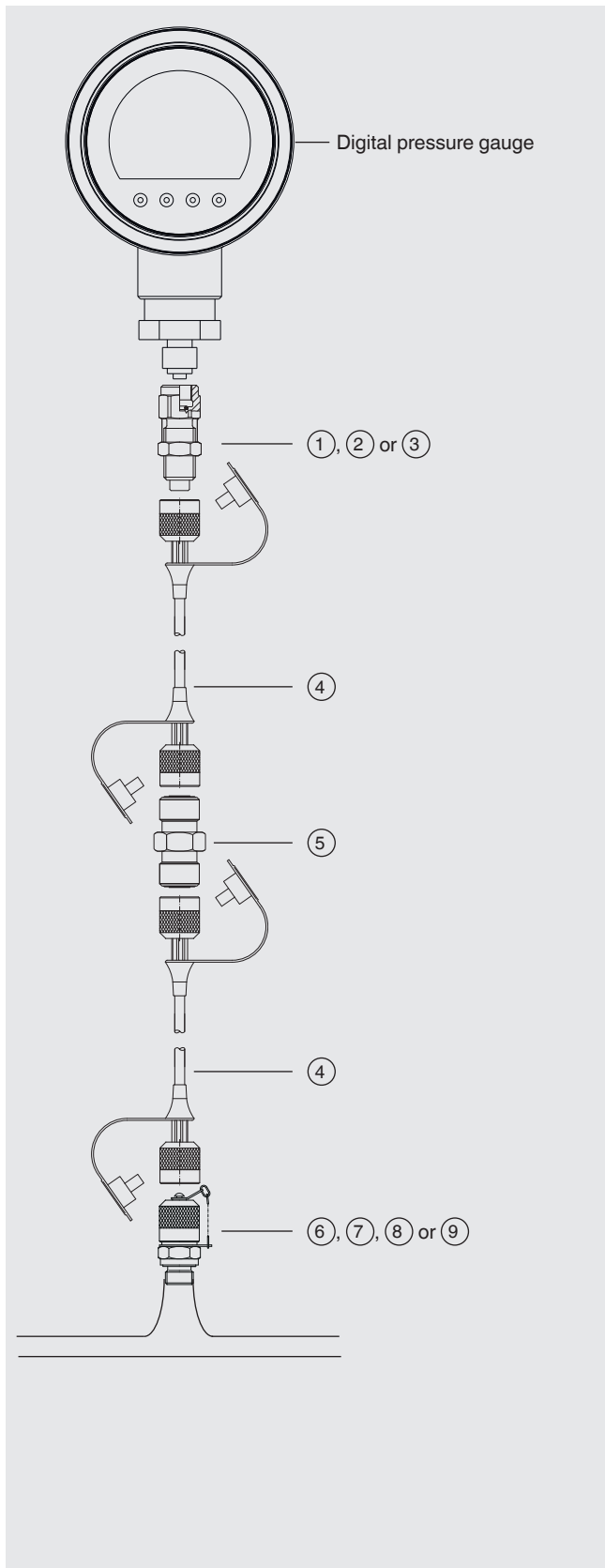
Requirements

- Digital pressure gauge with a G ½ or ¼ NPT male thread
- Process connection with a G ½ or G ⅜ female thread

⇒ Corresponding adapters are available in the WIKA accessories.

No.	Description
①	Pressure gauge connection ISO 228-G ½, male thread
②	Pressure gauge connection ISO 228-G ¼, male thread
③	Pressure gauge connection ¼ NPT, female thread
④	Test coupling M10 x 1, male thread
⑤	Reduction nozzle G ½, male thread to M10 x 1, female thread
⑥	Reduction nozzle G ⅜, male thread to M10 x 1, female thread

Application example: Connection of a pressure measuring instrument with measuring hose



Requirements

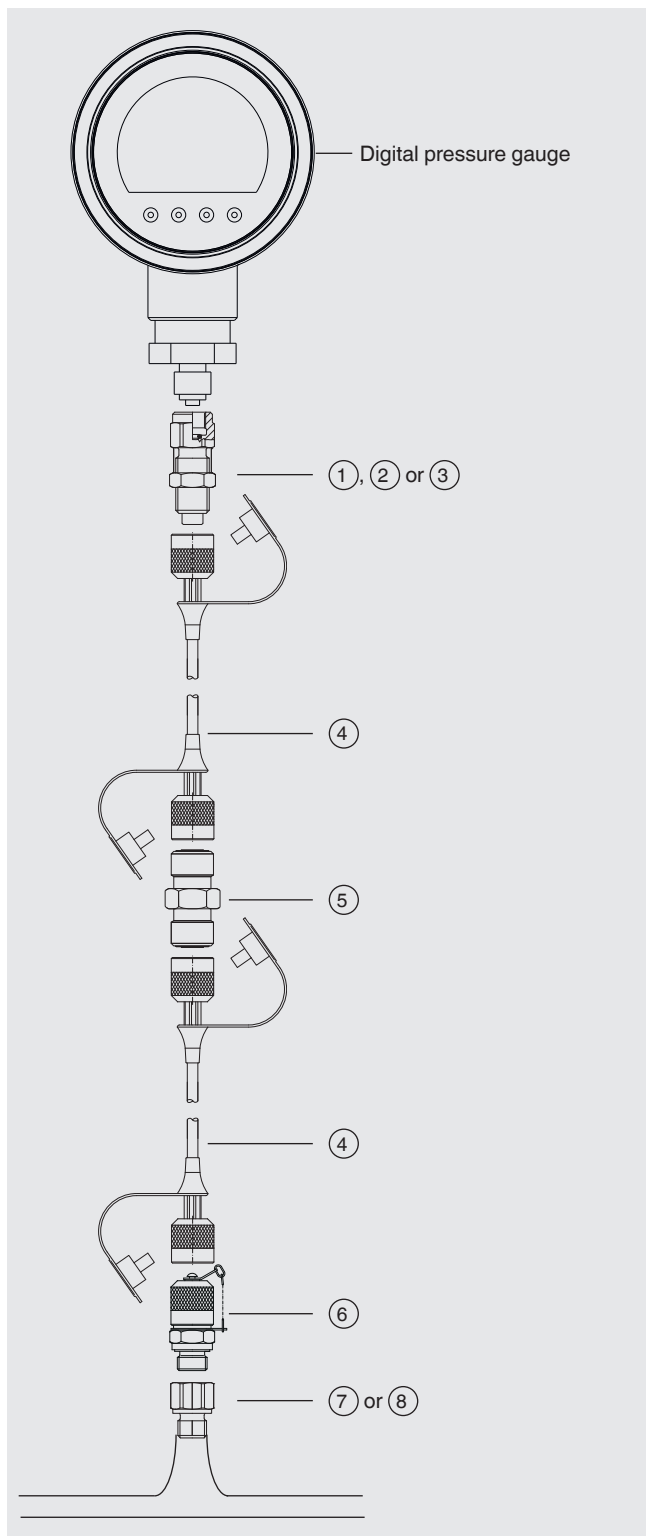
- Digital pressure gauge with G ½, G ¼ or ¼ NPT male thread
- Process connection with a G ¼, G ⅛ or ¼ NPT female thread

⇒ Corresponding adapters are available in the WIKA accessories.

No.	Description
①	Pressure gauge connection ISO 228-G ½, male thread
②	Pressure gauge connection ISO 228-G ¼, male thread
③	Pressure gauge connection ¼ NPT, female thread
④	Measuring hose DN 2, length 0.5 m [19.69 in]
⑤	Hose adapter (without check valve)
⑥	Test coupling ISO 228-G ¼, male thread
⑦	Test coupling ISO 228-G ⅛, male thread
⑧	Test coupling ¼ NPTF, male thread
⑨	Test coupling M10 x 1, male thread

Application example:

Direct connection of the digital pressure gauge with measuring hose and reducer



Requirements

- Digital pressure gauge with a G ½ or ¼ NPT male thread
- Process connection with a G ½ or G ⅜ female thread

⇒ Corresponding adapters are available in the WIKA accessories.

No.	Description
①	Pressure gauge connection ISO 228-G ½, male thread
②	Pressure gauge connection ISO 228-G ¼, male thread
③	Pressure gauge connection ¼ NPT, female thread
④	Measuring hose DN 2, length 0.5 m [19.69 in]
⑤	Hose adapter (without check valve)
⑥	Test coupling M10 x 1, male thread
⑦	Reduction nozzle G ½, male thread to M10 x 1, female thread
⑧	Reduction nozzle G ⅜, male thread to M10 x 1, female thread

Scope of delivery

- Digital pressure gauge, model CPG1200 incl. protective case cap
- 3 x 1.5 V AA alkaline batteries
- Micro-USB-B to USB cable approx. 2 m [6.6 ft]
- Power supply unit, DC 5 V with Micro-USB type B connector
- Plastic case
- Adapter set for 1620 or 1215 series; for further information, see data sheet AC 87.02
- Operating instructions



Digital pressure gauge, model CPG1200 with protective case cap and USB cable

Ordering information

DMK1200 / Pressure adapters / Data logger / Unit / Measuring range / Type of certificate

© 12/2023 WIKA Alexander Wiegand SE & Co. KG, all rights reserved.
The specifications given in this document represent the state of engineering at the time of publishing.
We reserve the right to make modifications to the specifications and materials.
In case of a different interpretation of the translated and the English data sheet, the English wording shall prevail.

