

# PHASE-OUT

## Temperature controller with digital indicator Model SC58, panel design

WIKA data sheet AC 85.24

### Applications

- Temperature control in large plants:
  - General machine building
  - Refrigeration technology
  - Domestic and industrial heating

### Special features

- Temperature controller and digital indicator in a single instrument
- Long service life
- Simple operation
- High contact rating, up to 12 A
- For panel mounting



Temperature controller with digital indicator,  
panel design, model SC58

### Description

The model SC58 is a temperature controller for simple thermostat applications. It features simple operation and a high switch rating.

The design of the model SC58 enables the controller to be used as an alternative to the purely mechanical remote-reading thermometer (model TF58). In comparison to mechanical thermostats, the SC58 can handle significantly more switching cycles and thus has a higher operating life.

## Standard version

### Nominal size in mm

Front dimensions: 62 x 28 mm

Mounting dimensions: 58.2 x 25.2 mm

### Sensor element

Pt100 resistance thermometer (preset), Pt1000 or PTC (selectable via software menu)

### Measuring range

Pt100, Pt1000: -80 ... +400 °C

PTC: -50 ... +130 °C

### Measuring accuracy

±1 K or ±0.5 % of measuring range

(greater value applies)

The actual value display can be an integer or have a resolution of 0.5 K or 0.1 K

### Display

3-digit LED display, 13 mm high, colour red

### Power supply

Model SC58.230:

AC 230 V, 50/60 Hz, current consumption max. 20 mA

Model SC58.024:

AC 12 ... 24 V, DC 12 ... 36 V, current consumption max. 30 mA

### Switching output

Relay output AC 250 V/12 A (2.2 A inductive load), change-over contact

### Electrical connections

Screw terminals for cable up to 1.5 mm<sup>2</sup>

### Case

Plastic, black

### Weight

approx. 200 g

### Ingress protection

Front panel IP 50 (for panel mounting)

Terminals IP 00

### Mounting option

Snap-in mounting

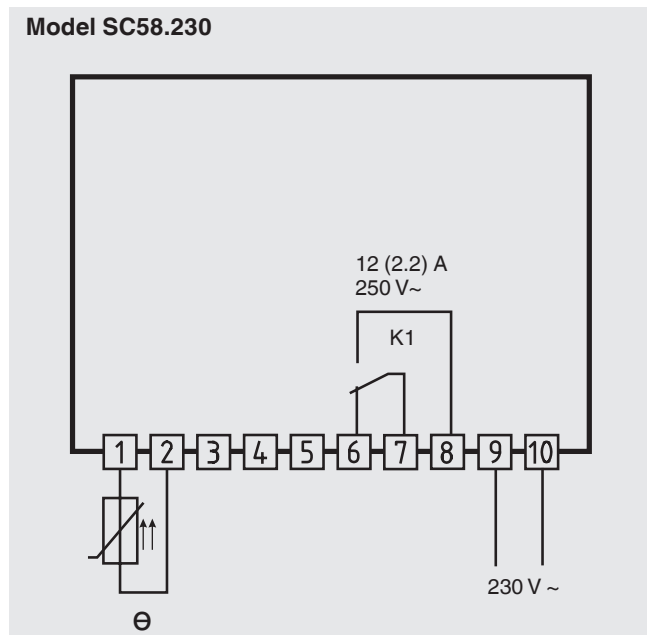
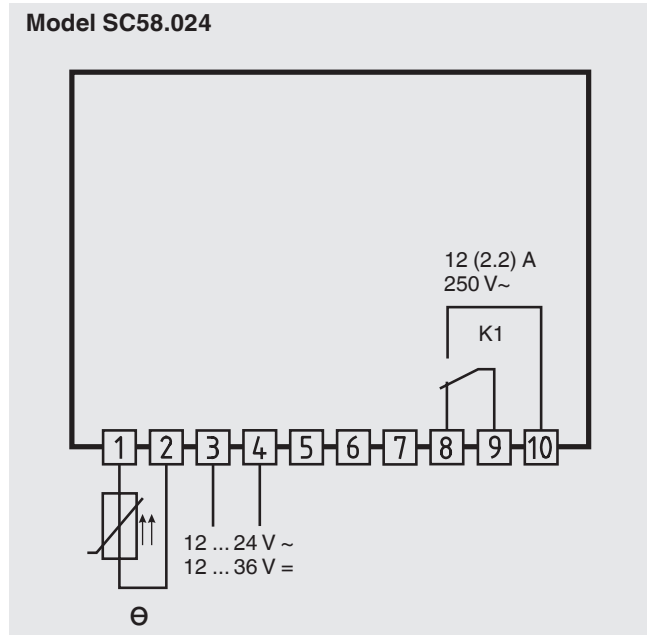
### Permissible ambient conditions

Storage temperature: -20 ... +70 °C

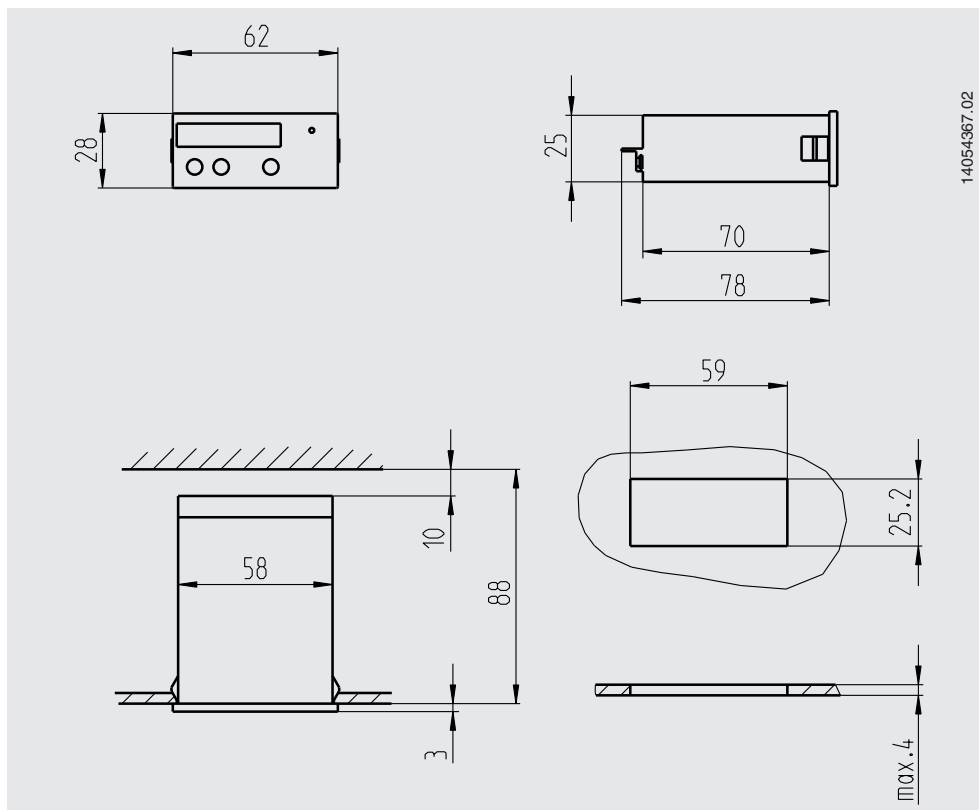
Operating temperature: 0 ... 50 °C

Relative humidity: max. 75 %, no condensation

## Connection diagram



**Dimensions in mm**



**CE conformity**

**EMC directive**

2004/108/EC, EN 61326 Emission (group 1, class B) and interference immunity (industrial application)

**Low voltage directive**

2006/95/EC, EN 60730-1 and EN 60730-2-9

**Order information**

Instrument version	Order number
Model SC58.230 (AC 230 V)	14054712
Model SC58.024 (AC 12 ... 24 V or DC 12 ... 36 V)	14054713

**Ordering information**

To order the described product the given order number is sufficient.

© 2012 WIKA Alexander Wiegand SE & Co. KG, all rights reserved.  
The specifications given in this document represent the state of engineering at the time of publishing.  
We reserve the right to make modifications to the specifications and materials.

